



USER MANUAL – EN

IN 25973 Verticon inSPORTline Pro 500



CONTENTS

- SAFETY INSTRUCTIONS..... 3
- PARTS LIST 4
- ASSEMBLY 5
- CONTROL PANEL 9
 - Buttons 9
- PROGRAMS..... 9
 - Quick start 9
 - Target exercise 10
 - HRC 65% 11
 - HRC 85% 12
 - Virtual landmark 13
 - Assitional information 14
- USE 14
- EXERCISE INSTRUCTIONS 15
- MAINTENANCE 16
 - LUBRICATION..... 16
- DIAGRAM 18
- PARTS LIST 19
- ENVIRONMENT PROTECTION 21
- TERMS AND CONDITIONS OF WARRANTY, WARRANTY CLAIMS..... 21

SAFETY INSTRUCTIONS

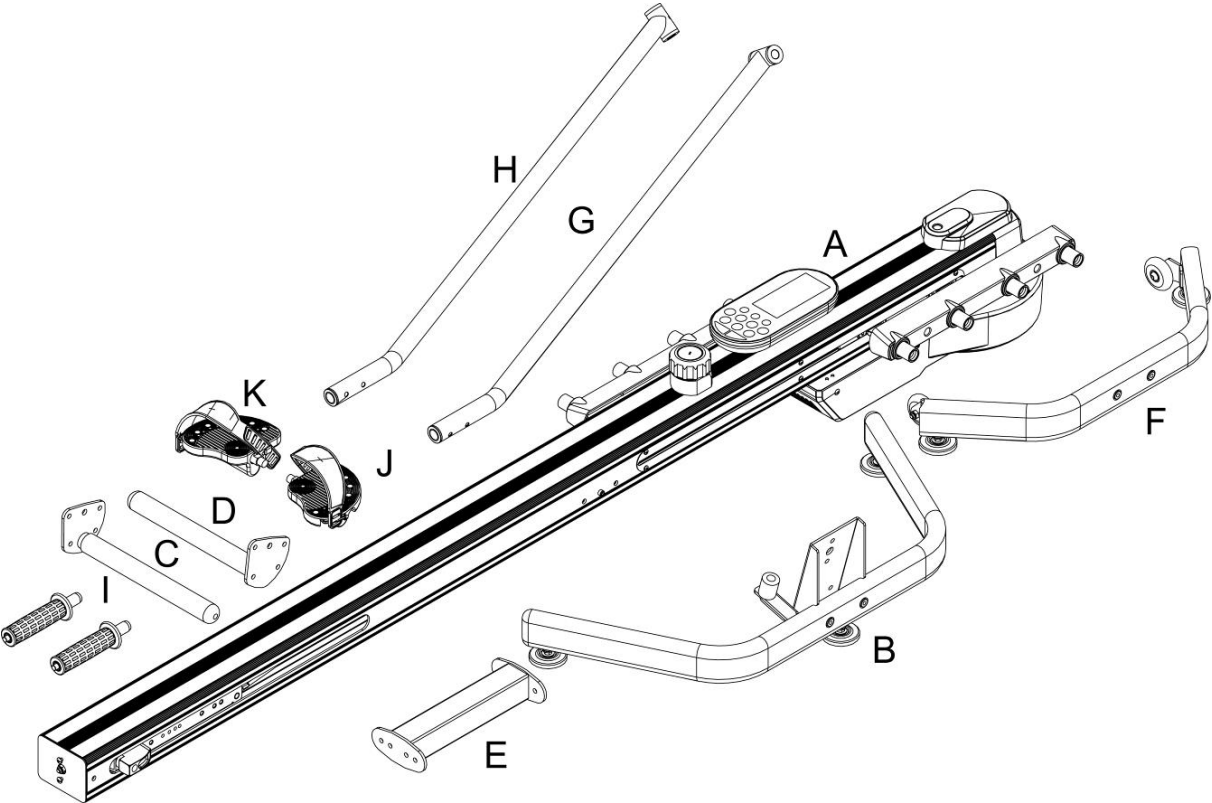
- Read the manual carefully before first use and assembly and keep it for future reference.
- Only assemble the device on a flat and clean surface so as not to affect its functionality.
- Clean the device regularly. Metal parts can easily rust.
- Talk to your doctor about your medical condition before using the device. This is especially important if you suffer from health problems or limitations.
- Exercise carefully and do not overextend yourself. Exercise must match your physical capabilities. If you feel pain or you are fainting, stop exercising immediately.
- Before each exercise, make sure that all bolts and nuts are tight (properly tightened). Replace damaged or worn parts immediately. If sharp edges appear on the device, do not use it. Also, do not exercise if the device makes atypical sounds.
- Do not use the device outdoors.
- No adjustable part should protrude so as not to restrict the user's movement.
- Keep children and pets away from the device. Do not leave children unattended close or near the device.
- Do not put your hands, feet, or hair near moving parts. Only place your hands on the designated places.
- Exercise sensibly and prevent injuries.
- Use the device only in accordance with the manual. Do not use the device unless it is completely assembled. If you are unsure, contact a professional service.
- Place the device on a flat and clean surface. For greater safety, keep a distance of min. 0.6 m from other room equipment.
- Wear suitable sportswear for exercise. Do not wear too loose clothes that get easily caught. Always wear closed shoes. Tighten the laces firmly.
- The device is not suitable for people who suffer from diseases or health complications. The device should not be used by people with reduced susceptibility, delayed reactions, or other limitations. People with insufficient exercise experience should also avoid using the device.
- The device is not suitable for pregnant women.
- The device may only be used by one person at a time.
- Do not place sharp objects on or near the device. Do not pinch or injure your hands during installation. If you hear abnormal sounds or the device is not working correctly, stop using the device immediately until the device is repaired.
- If the device is not working properly or is damaged contact your supplier.
- Use only original spare parts for repairs.

Weight limit: 159 kg

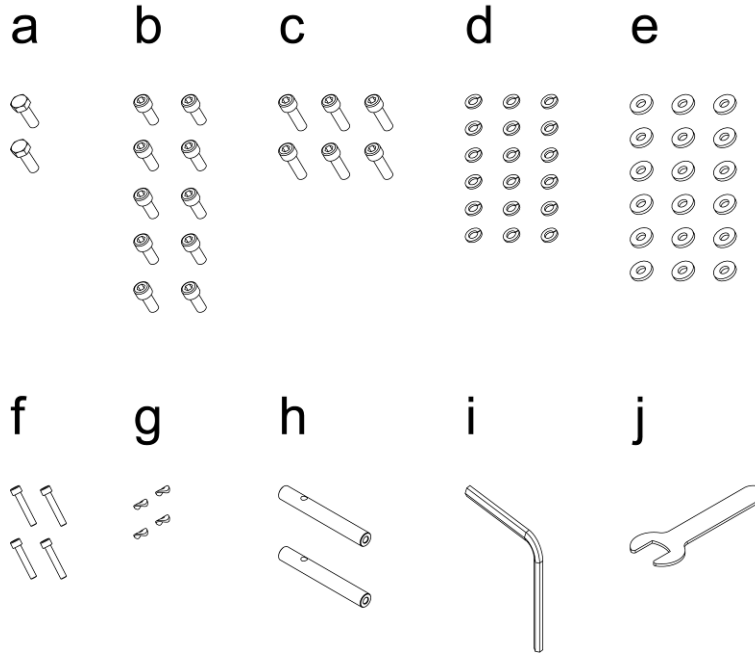
Category: SC – suitable for commercial and club use

WARNING! The heart rate monitoring system may not be accurate. Overextending during training can cause serious injury or death. If you feel nauseous, stop the exercise immediately!

PARTS LIST



No.	Name	Qty.
A	Main frame	1
B	Rear base	1
C	Holder - left	1
D	Holder - right	1
E	Connection frame	1
F	Front base	1
G	Reinforcement frame - left	1
H	Reinforcement frame - right	1
I	Handles	2
J	Pedal - left	1
K	Pedal - right	1



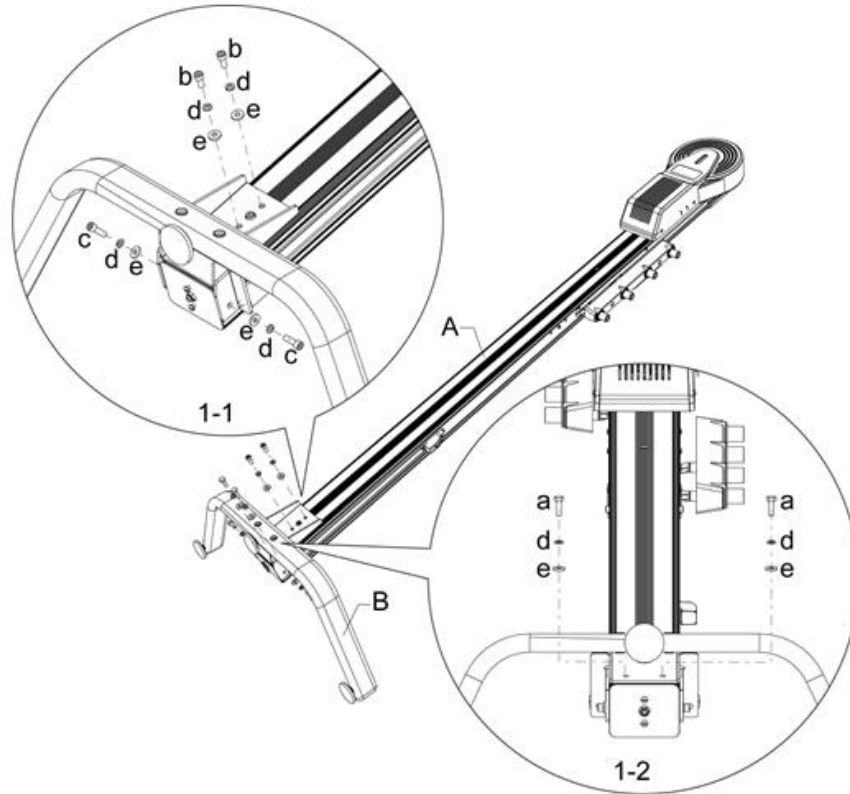
No.	Name	Qty.
a	Bolt M8 * P1.25 * 25	2
b	Bolt M8 * P1.25 * 20	10
c	Bolt M8 * P1.25 * 25	6
d	Spring washer - M8	18
e	Flat washer - $\phi 8 \times \phi 19 * 3.0t$	18
f	Bolt M8 * P1.25 * 45	4
g	Arc washer - $\phi 8 \times \phi 19-R19 * 1.5t$	4
h	Axle	2
i	Allen key - 6mm * 40 mm * 120 mm	1
j	Wrench – 13 mm+15 mm * 120 mm	1

ASSEMBLY

Step 1

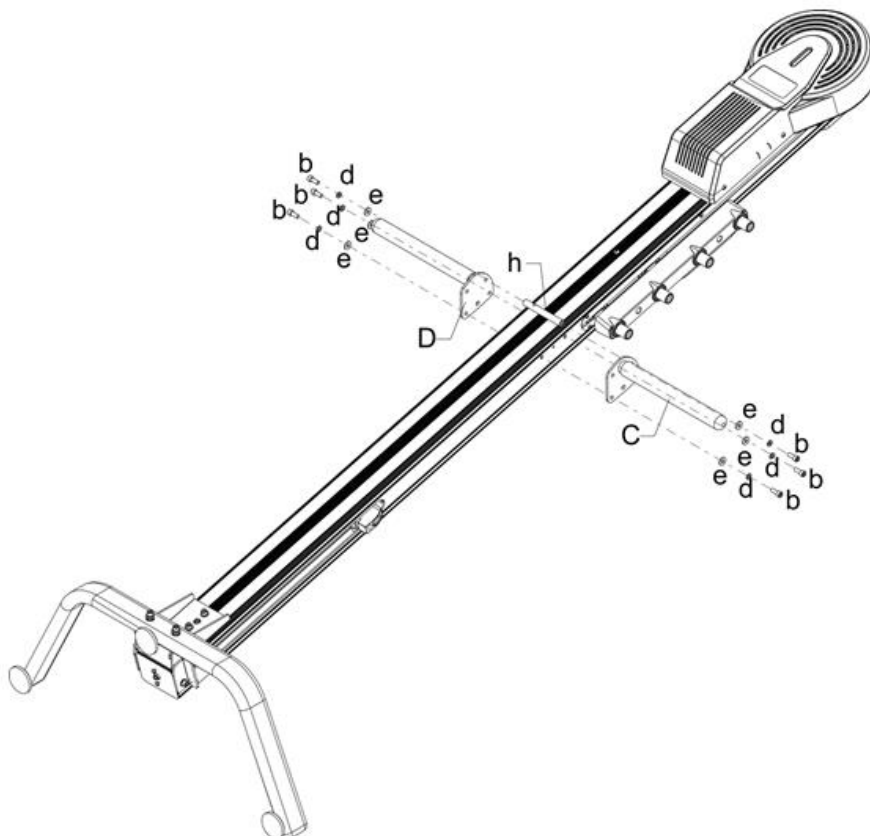
Place the main frame on a raised place (table) and be careful not to damage the electrical parts. Attach the back of the base (B) to the main frame (A) using bolts (a, b, c), spring washer (d) and washer (e). Do not tighten yet.

Make sure all the bolts are properly fixed, then tighten all the bolts (a, b, c).



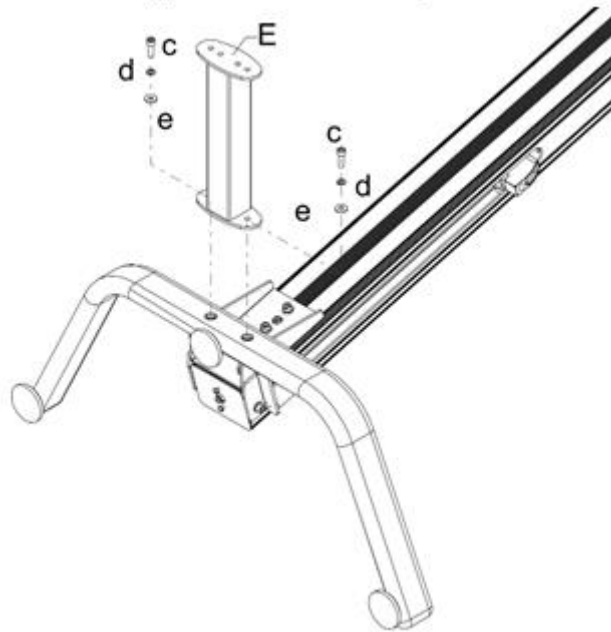
Step 2

Attach the holders (C and D) to the frame (A). Fix the holders (C and D) using the shaft (h), bolts (b), spring washer (d) and washer (e) see picture. Pay attention to the left and right side.



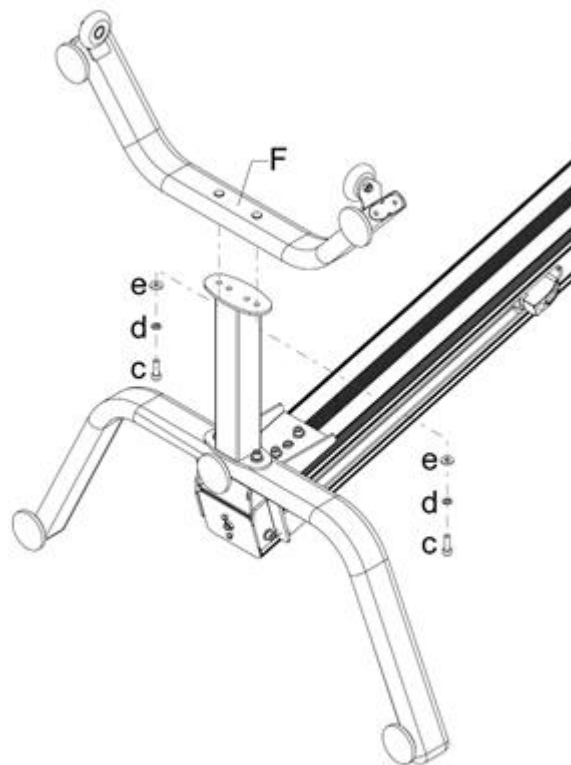
Step 3

Attach the connecting frame (E) to the back of the base (B) using bolts (c), spring washer (d) and washer (e) see picture.



Step 4

Attach the front part of the base (F) to the connecting frame (E) using bolts (c), spring washer (d) and washer (e) see picture.

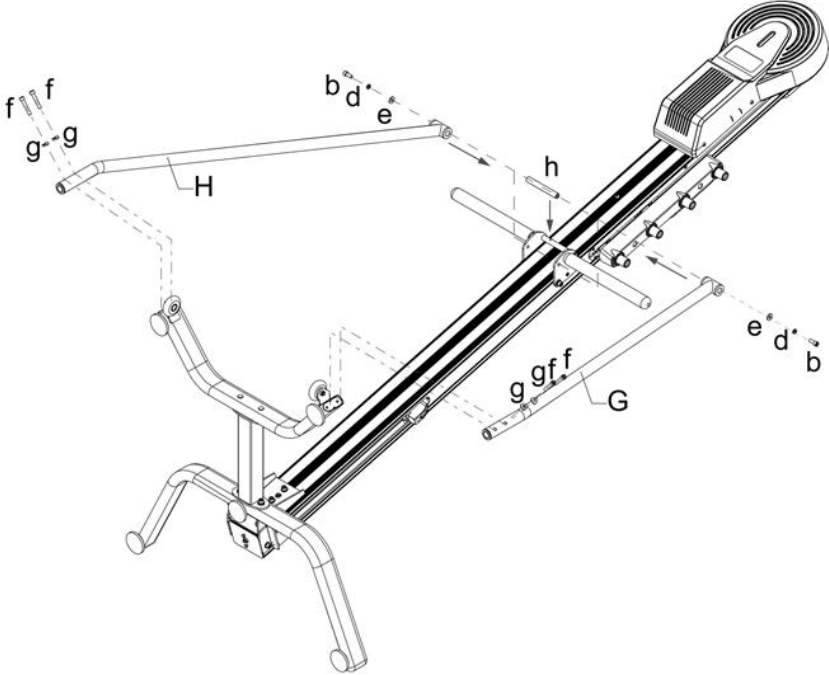


Step 5

Using the shaft (h), fix the reinforcement frames (G and H) on the top and connect with bolts (b), spring washers (d) and washers (e), do not tighten yet.

On the bottom side, attach the reinforcement frames (G and H) to the front base (F) using bolts (f) and curved washers (g).

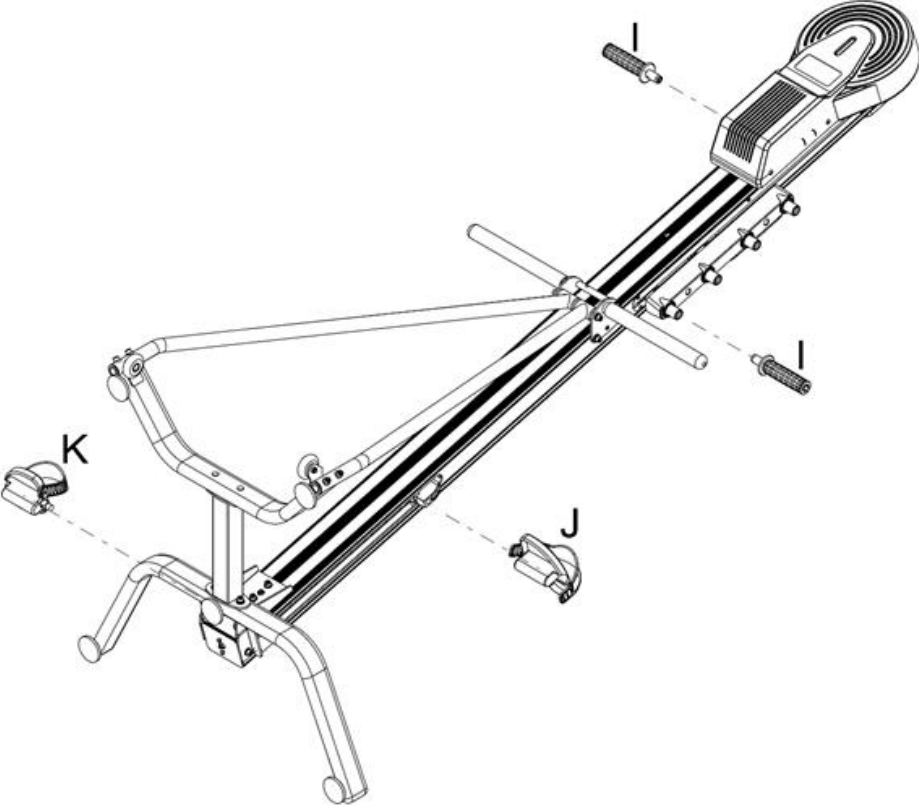
Tighten all bolts.



Step 6

Attach the pedals (J and K) and the handles (I) see picture. Pay attention to the right and left side of the pedals.

Ask another person for help and pick up the machine. Be careful not to damage electrical parts.



CONTROL PANEL

Buttons

Start	Starts the exercise program
Stop	Program restart / pause (hold for 2 seconds to restart, press to pause)
Target	In standby mode, press the button to enter the exercise target value setting program
Heart rate 65%	Program for setting target heart rate 65%
Heart rate 85%	Program for setting target heart rate 85%
Virtual landmark	Virtual landmark program (a program that simulates landmark ascension)
Up	Value increase, hold for quick increase
Down	Value decrease, hold to quickly decrease
Enter	Confirm and start the program after setting

PROGRAMS

Quick start

Standby mode

Press the start button to start the default program that will add all values.

The values will continuously appear on the display.

During exercise

Start – starts the program

Stop – Press: stops / pauses the program

Hold: Stops the program, all values are reset and the device switches to standby mode

Displayed information during exercise

Time	Training time
Level	Resistance
Step height	Step height
Speed/min	Current speed per minute
Distance	Distance
Step/min	Number of steps per minute
Total steps	Total number of steps during training
Watt	Power
Calories	Calories burned during training
Heart rate	Heart rate during training

Displayed information in standby mode

Time	Training time
Level	Resistance
Step height	Step height

Speed/min	Current speed per minute
Distance	Distance
Step/min	Number of steps per minute
Total steps	Total number of steps during training
Watt	Power
Calories	Calories burned during training
Heart rate	Heart rate during training

Target exercise

Standby mode

Target steps

Default value: 50

Use the UP/DOWN buttons to set the value

Press ENTER to save and start the program. The target value will be displayed and will flash if the speed is too slow

Target time

Default value: 01:00

Use the UP/DOWN buttons to set the value

Press ENTER to save and start the program. Time is counted down, other values are added

Target distance

Default value: 100

Use the UP/DOWN buttons to set the value

Press ENTER to save and start the program. Distance is counted down, other values are added

Target calories

Default value: 10

Use the UP/DOWN buttons to set the value

Press ENTER to save and start the program. Calories is counted down, other values are added

Displayed information

The display will show the set target value from which the set value will be counted down (number of steps, time, distance, calories). The set value will flash.

During exercise

Start – starts the program

Stop – Press: stops / pauses the program

Hold: Stops the program, all values are reset and the device switches to standby mode

Displayed information during exercise

Time	Training time
Level	Resistance
Step height	Step height
Speed/min	Current speed per minute
Distance	Distance

Step/min	Number of steps per minute
Total steps	Total number of steps during training
Watt	Power
Calories	Calories burned during training
Heart rate	Heart rate during training
Target steps	Displays remaining steps
Displayed information in standby mode	
Time	Training time
Level	Resistance
Step height	Step height
Speed/min	Current speed per minute
Distance	Distance
Step/min	Number of steps per minute
Total steps	Total number of steps during training
Watt	Power
Calories	Calories burned during training
Heart rate	Heart rate during training
Target steps	Displays remaining steps

HRC 65%

Standby mode

Default value: 30 years

Use the UP/DOWN buttons to set the age, the value will flash

Press ENTER to save the value and start the program

Displayed information

Age will flash

The heart rate will be displayed and flashing, set the value.

During exercise

Start – starts the program

Stop – Press: stops / pauses the program

Hold: Stops the program, all values are reset and the device switches to standby mode

Displayed information during exercise

Time	Training time
Level	Resistance
Step height	Step height
Speed/min	Current speed per minute
Distance	Distance
Step/min	Number of steps per minute
Total steps	Total number of steps during training

Watt	Power
Calories	Calories burned during training
Heart rate	Heart rate during training
Displayed information in standby mode	
Time	Training time
Level	Resistance
Step height	Step height
Speed/min	Current speed per minute
Distance	Distance
Step/min	Number of steps per minute
Total steps	Total number of steps during training
Watt	Power
Calories	Calories burned during training
Heart rate	Heart rate during training, if the value is lower than 65% of the target set value, it will flash SPEED UP. If the value is higher than 65% of the set target value, SLOW DOWN will flash

HRC 85%

Standby mode

Default value: 30 years

Use the UP/DOWN buttons to set the age, the value will flash

Press ENTER to save the value and start the program

Displayed information

Age will flash

The heart rate will be displayed and flashing, set the value.

During exercise

Start – starts the program

Stop – Press: stops / pauses the program

Hold: Stops the program, all values are reset and the device switches to standby mode

Displayed information during exercise

Time	Training time
Level	Resistance
Step height	Step height
Speed/min	Current speed per minute
Distance	Distance
Step/min	Number of steps per minute
Total steps	Total number of steps during training
Watt	Power
Calories	Calories burned during training

Heart rate	Heart rate during training, if the value is lower than 85% of the target set value, it will flash SPEED UP. If the value is higher than 85% of the set target value, SLOW DOWN will flash
------------	---

Displayed information in standby mode

Time	Training time
Level	Resistance
Step height	Step height
Speed/min	Current speed per minute
Distance	Distance
Step/min	Number of steps per minute
Total steps	Total number of steps during training
Watt	Power
Calories	Calories burned during training
Heart rate	Heart rate during training, if the value is lower than 85% of the target set value, it will flash SPEED UP. If the value is higher than 85% of the set target value, SLOW DOWN will flash

Virtual landmark

Standby mode

Default value: 1

Use the UP/DOWN buttons to set the value

Press ENTER to save and start the program.

1	Washington Monument 169 m
2	Tokyo Tower FT 250 m
3	Eiffel Tower FT 300 m
4	Willis Tower 443 m
5	Moscow Tower 537 m
6	El Capitan 1005 m
7	Vesuvius 1189 m
8	Mount Olympus 2966 m

Displayed information

Level: value will flash

Distance: The selected program will flash

During exercise

Start – starts the program

Stop – Press: stops / pauses the program

Hold: Stops the program, all values are reset and the device switches to standby mode

Displayed information during exercise

Time	Training time
Level	Resistance

Step height	Step height
Speed/min	Current speed per minute
Distance	Distance
Step/min	Number of steps per minute
Total steps	Total number of steps during training
Watt	Power
Calories	Calories burned during training
Heart rate	Heart rate during training
Displayed information in standby mode	
Time	Training time
Level	Resistance
Step height	Step height
Speed/min	Current speed per minute
Distance	Distance
Step/min	Number of steps per minute
Total steps	Total number of steps during training
Watt	Power
Calories	Calories burned during training
Heart rate	Heart rate during training

Assitional information

- If at any time you hold down the STOP button for 2 seconds, the values reset to zero and the program is turned off.
- If the control panel is in standby mode and does not detect any signal for 3 minutes, it will switch to sleep mode.
- If the control panel is in sleep mode, just press any button to wake it up.
- If you press STOP during a workout, the program will pause. If the program is stopped, press the START button to start the program again. If the program is paused and you press STOP again, the program will shut down and the control panel will switch to standby mode.
- If the program is running and no movement is detected for 3 min, the control panel switches to sleep mode.
- Press START and ENTER simultaneously to change units.
- Calculation of maximum and target heart rate:
 - $220 - \text{age} = \text{maximum heart rate}$
 - $0.65 * \text{maximum heart rate} = 65\% \text{ of target heart rate}$
 - $0.85 * \text{maximum heart rate} = 85\% \text{ of target heart rate}$

USE

The device is designed to copy the same movement as when climbing. You will exercise the upper and lower parts of your body, improve your metabolism, and burn more calories. Your body weight provides enough resistance for exercise.

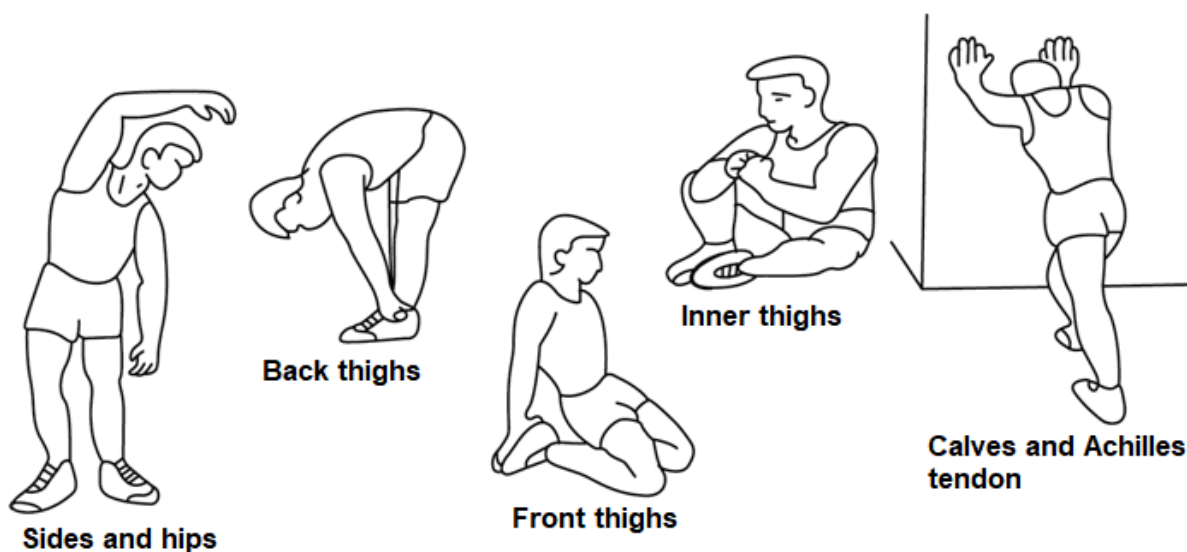
Keep your feet on the pedals so that you feel the muscles in your buttocks and thighs engage during exercise. If you want to train your calf muscles, stand on the pedals closer to your toes. Grasp the adjustable handles and let your arms, shoulders, chest and back engage in your workout. If your shoulders hurt while exercising, place your hands on the firm handles. Make sure you keep your head straight and look ahead and avoid straining your neck while exercising. If you want to increase the intensity of the exercise, lift your legs higher or increase the frequency.

EXERCISE INSTRUCTIONS

Exercise is beneficial to your health, improves physical condition, shapes muscles and, in combination with a calorie-balanced diet, leads to weight loss.

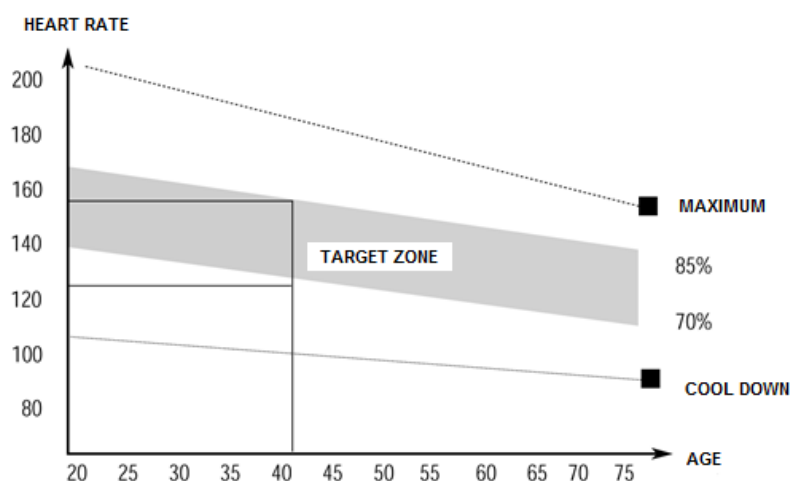
1. WARM UP

This phase serves to improve the blood circulation of the whole body and to warm up the muscles, to reduce the risk of convulsions and muscle injury. We recommend performing the stretching exercises below. When dragging, stay in the end position for approximately 30 seconds, do not make sudden movements and do not vibrate.



2. EXERCISING

This phase is the most physically demanding part. Regular exercise strengthens the muscles. You can determine the tempo yourself, but it is very important that it is the same throughout the exercise. Heart rate should be within the target zone (see figure below).



This phase should last at least 12 minutes. Most people exercise for 15-20 minutes.

3. COOLDOWN

This phase serves to soothe the cardiovascular system and relax the muscles. It should take approximately 5 minutes. You can repeat warming up exercises or continue exercising at slower pace. Stretching your muscles after exercise is extremely important - you need to avoid sudden movements and vibrations.

With improved fitness, you can lengthen and increase exercise intensity. Train regularly, at least three times a week.

SHAPING MUSCLES

For muscle shaping, it is important to set a high load. The muscles will be more stressed, which may cause that you will not be able to exercise as long as usual. If you are trying to improve your condition at the same time, you need to adjust your training. Exercise in the usual way during the warm-up and final stages of training but increase the resistance of the device at the end of the exercise. You may need to slow down the speed to keep the heart rate in the target area.

WEIGHT LOSS

The number of calories burned depends on the length and intensity of the exercise. The essence is the same as in fitness exercise, but the goal is different.

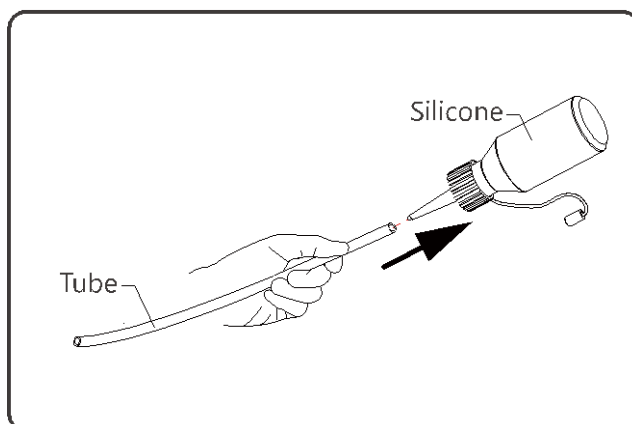
MAINTENANCE

- When assembling, tighten all screws properly and set the device to a horizontal position.
- Check for proper tightening after 10 hours of use.
- Wipe sweat after exercise. Clean the device with a cloth and mild detergent. Do not use solvents or aggressive cleaning agents on plastic parts.
- In case of increased noise, it is necessary to check the correct tightening of all connections.
- Place the product in a clean, ventilated, and dry room.
- Do not expose the device to direct sunlight.

LUBRICATION

Step 1

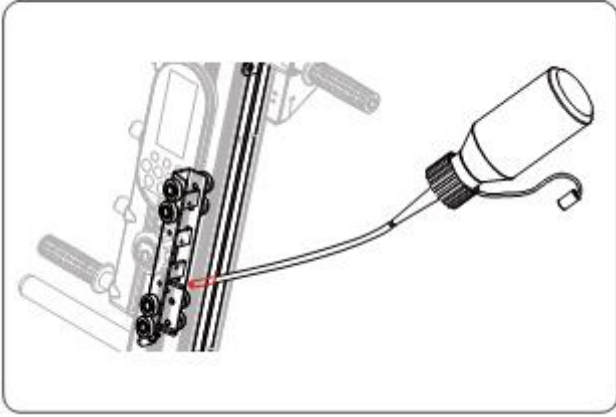
Insert the tube into the silicone oil.



Step 2

Lubricate the rails as shown.





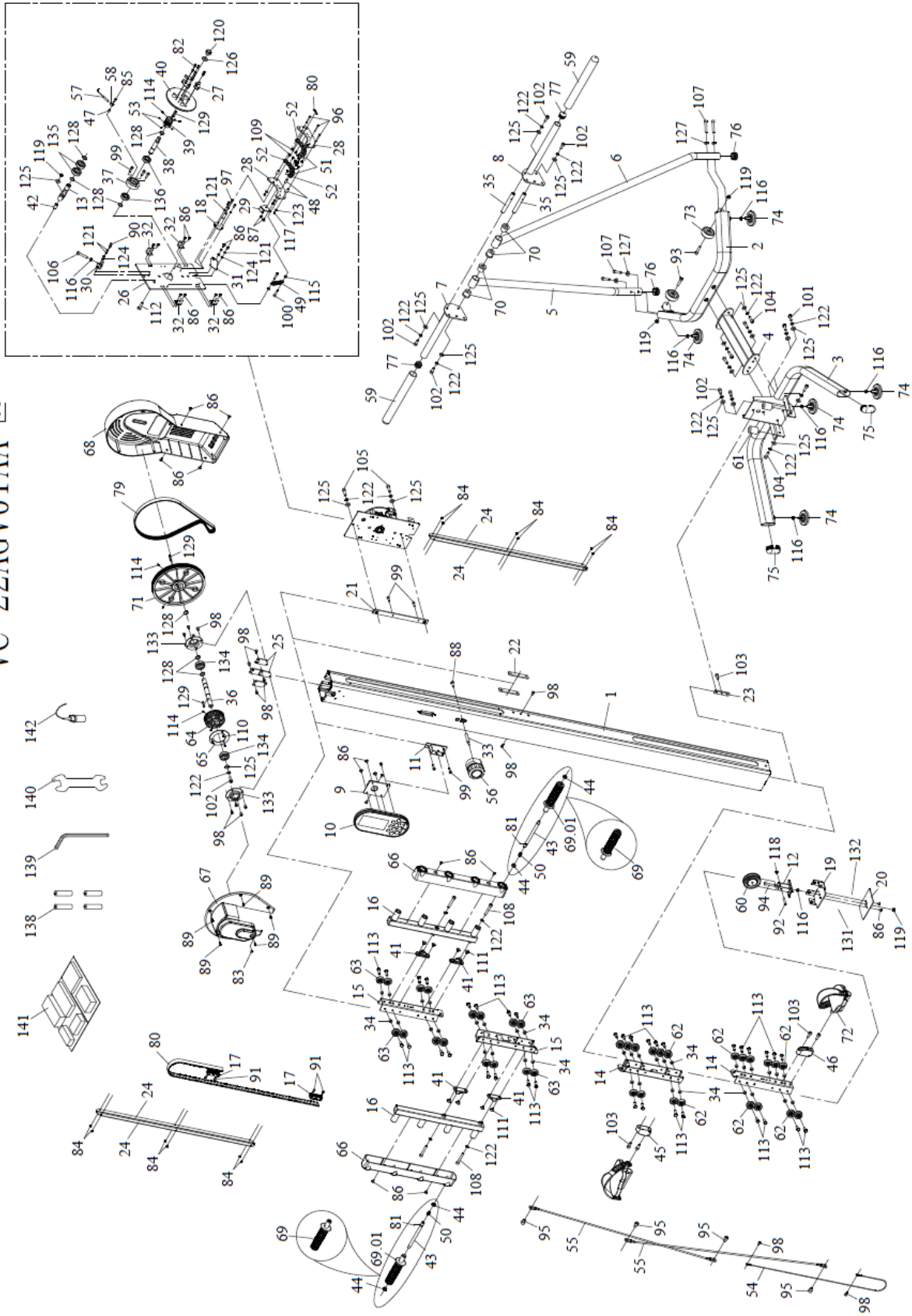
Step 3

Move the rails for 3-5 minutes.

Check every 3 months.

DIAGRAM

VC-22AGV01AA 106



PARTS LIST

No.	Name	Qty	No.	Name	Qty
1	Main frame	1	72	Left and right pedal	1
2	Front stabilizer	1	73	Roller Ø60x Ø8.2x24 mm	2
3	Rear stabilizer	1	74	Leveling feet	5
4	Middle stabilizer	1	75	Curved cap	2
5	Left connecting frame	1	76	Cover	2
6	Right connecting frame	1	77	Curved cap Ø1-1/8"X1.6t	2
7	Left handle	1	78	Timing belt	1
8	Right handle	1	79	Belt	1
9	Console holder	1	80	Pin	1
10	Console	1	81	Steel ball Ø10xØ2x32	2
11	Console frame	1	82	Screw Ø5xP0.8x10	6
12	Pulley holder	1	83	Screw Ø4xP0.7x10	1
13	Pulley	1	84	Screw Ø4xP0.7-5 mm	12
14	Bottom pulley holder	2	85	Screw Ø4xP0.7x15	1
15	Top pulley holder	2	86	Screw Ø5xP0.8x10	26
16	Handrail holder	2	87	Screw Ø 5xP0.8x6	2
17	Belt holder	2	88	Screw Ø 6xP1.0x25	1
18	Magnet holder	1	89	Screw Ø4x16	5
19	Pulley holder	1	90	Screw Ø5xP0.8x10	2
20	Lower cover of the main drive	1	91	Screw M6xP1.0x10	4
21	Magnet holder plate	1	92	Screw M6xP1.0x10	1
22	Handle plate	2	93	Screw M6xP1.0x40	2
23	Main drive plate	1	94	Screw M8xP1.25x45	1
24	Handle cover	4	95	Screw M10xP1.5x12	4
25	Bearing plate	4	96	Screw M4xP0.7x35	3
26	Main magnet plate	1	97	Screw M5xP0.8x10	3
27	Fan plate	3	98	Screw M6xP1.0x10	16
28	Magnet fixing plate	2	99	Screw M6xP1.0x20	7
29	Fixing the cable	1	100	Screw M6xP1.0x30	2
30	Adjustable pulley plate	1	101	Screw M8xP1.25x25	2
31	Fixing the cable	1	102	Screw M8xP1.25x20	11
32	Cap holder	4	103	Screw M8xP1.25x20	5
33	Hand screw fixing	1	104	Screw M8xP1.25x25	6
34	Roller	36	105	Screw M8xP1.25x30	2
35	Axis holder	2	106	Screw M8xP1.25x40	1
36	Gear axis	1	107	Screw M8xP1.25x45	4

37	Bearing holder	1	108	Screw M8xP1.25x55	4
38	Aluminum plate axis	1	109	Screw M5xP0.8x6mm	12
39	Pulley	1	110	Screw Ø3x12	3
40	Aluminum plate	1	111	Screw M8xP1.25-10 mm	8
41	Sliding connector	4	112	Screw M8xP1.25x40	1
42	Tension pulley of the rotating shaft	1	113	Screw	36
43	Telescopic handle	2	114	Screw M5xP0.8x8	6
44	Fixed handle shaft	4	115	Nut M6xP1.0	2
45	Left hand crank	1	116	Nut M8xP1.25	7
46	Right click	1	117	Nut M4xP0.7	3
47	Spacer Ø4.5*Ø8-8mm	1	118	Nut M6xP1.0	1
48	Spacer Ø4.5*Ø8-18mm	3	119	Nut M8xP1.25	4
49	Tension spring	1	120	Nut M14xP2.0	1
50	Compression spring	2	121	Flexible washer M5	7
51	Magnet Ø20XØ (5.9-11.6)x4t	6	122	Flexible washer M8	25
52	Magnet Ø20XØ (5.9-11.6)x4t	6	123	Flat pad Ø4xØ12x1.0t	3
53	Magnet Ø5X4t (1200 Gs±150 Gs)	4	124	Flat pad Ø5xØ10x2.0t	4
54	Bottom steel cable	1	125	Flat pad Ø8xØ19x3.0t	22
55	Upper steel cable	2	126	Flat pad Ø14xØ25x1.5t	1
56	Resistance adjustment knob	1	127	Curved washer Ø8x Ø19-R19x1.5t	4
57	Steel cable holder (Ø6.5x30)	1	128	C-clip	7
58	Cable clamp	1	129	Connection plate	3
59	PVC foam pipe PFM-129	2	131	Cushioning foam	2
60	Plastic guide pulley P-2036	1	132	Cushioning foam	2
61	Leveling pad 37 mm	2	133	Bearing housing 6203	2
62	Bearing 608ZZ	20	134	Bearing 6203 ZZ	2
63	Bearing 608ZZ	16	135	Bearing 6203ZZC3 TPI	2
64	Belt pulley	1	136	Bearing 6003ZZHCH	2
65	P-5433 pulley guard plate	1	138	Battery	4
66	Handle cover P-5434	2	139	Allen key	1
67	Front Pulley Cover P-5435	1	140	Wrench 13mm + 15mm x120mm	1
68	Pulley Rear Cover P-5436	1	141	Set of screws	1
69	Set of handholds-VC-22	2	142	Silicone	1
70	Case Ø31.8x Ø15.2 mm	4			
71	Pulley Ø235	1			

ENVIRONMENT PROTECTION

After the product lifespan expired or if the possible repairing is uneconomic, dispose it according to the local laws and environmentally friendly in the nearest scrapyards.

By proper disposal you will protect the environment and natural sources. Moreover, you can help protect human health. If you are not sure in correct disposing, ask local authorities to avoid law violation or sanctions.

Don't put the batteries among house waste but hand them in to the recycling place.

TERMS AND CONDITIONS OF WARRANTY, WARRANTY CLAIMS

General Conditions of Warranty and Definition of Terms

All Warranty Conditions stated here under determine Warranty Coverage and Warranty Claim Procedure. Conditions of Warranty and Warranty Claims are governed by Act No. 89/2012 Coll. Civil Code, and Act No. 634/1992 Coll., Consumer Protection, as amended, also in cases that are not specified by these Warranty rules.

The seller is SEVEN SPORT s.r.o. with its registered office in Strakonická street 1151/2c, Prague 150 00, Company Registration Number: 26847264, registered in the Trade Register at Regional Court in Prague, Section C, Insert No. 116888.

According to valid legal regulations it depends whether the Buyer is the End Customer or not.

"The Buyer who is the End Customer" or simply the "End Customer" is the legal entity that does not conclude and execute the Contract in order to run or promote his own trade or business activities.

"The Buyer who is not the End Customer" is a Businessman that buys Goods or uses services for the purpose of using the Goods or services for his own business activities. The Buyer conforms to the General Purchase Agreement and business conditions.

These Conditions of Warranty and Warranty Claims are an integral part of every Purchase Agreement made between the Seller and the Buyer. All Warranty Conditions are valid and binding, unless otherwise specified in the Purchase Agreement, in the Amendment to this Contract or in another written agreement.

Warranty Conditions

Warranty Period

The Seller provides the Buyer a 24 months Warranty for Goods Quality, unless otherwise specified in the Certificate of Warranty, Invoice, Bill of Delivery or other documents related to the Goods. The legal warranty period provided to the Consumer is not affected.

By the Warranty for Goods Quality, the Seller guarantees that the delivered Goods shall be, for a certain period of time, suitable for regular or contracted use, and that the Goods shall maintain its regular or contracted features.

Batteries

6-month battery warranty – we guarantee that battery's nominal capacity does not fall below 70% of its total capacity within 6 months of the product's sale.

The Warranty does not cover defects resulting from (if applicable):

- User's fault, i.e. product damage caused by unqualified repair work, improper assembly, insufficient insertion of seat post into frame, insufficient tightening of pedals and cranks
- Improper maintenance
- Mechanical damages
- Regular use (e.g. wearing out of rubber and plastic parts, moving mechanisms, joints, wear of brake pads/blocks, chain, tires, cassette/multi wheel etc.)
- Unavoidable event, natural disaster

- Adjustments made by unqualified person
- Improper maintenance, improper placement, damages caused by low or high temperature, water, inappropriate pressure, shocks, intentional changes in design or construction etc.

Warranty Claim Procedure

The Buyer is obliged to check the Goods delivered by the Seller immediately after taking the responsibility for the Goods and its damages, i.e. immediately after its delivery. The Buyer must check the Goods so that he discovers all the defects that can be discovered by such check.

When making a Warranty Claim the Buyer is obliged, on request of the Seller, to prove the purchase and validity of the claim by the Invoice or Bill of Delivery that includes the product's serial number, or eventually by the documents without the serial number. If the Buyer does not prove the validity of the Warranty Claim by these documents, the Seller has the right to reject the Warranty Claim.

If the Buyer gives notice of a defect that is not covered by the Warranty (e.g. in the case that the Warranty Conditions were not fulfilled or in the case of reporting the defect by mistake etc.), the Seller is eligible to require a compensation for all the costs arising from the repair. The cost shall be calculated according to the valid price list of services and transport costs.

If the Seller finds out (by testing) that the product is not damaged, the Warranty Claim is not accepted. The Seller reserves the right to claim a compensation for costs arising from the false Warranty Claim.

In case the Buyer makes a claim about the Goods that is legally covered by the Warranty provided by the Seller, the Seller shall fix the reported defects by means of repair or by the exchange of the damaged part or product for a new one. Based on the agreement of the Buyer, the Seller has the right to exchange the defected Goods for a fully compatible Goods of the same or better technical characteristics. The Seller is entitled to choose the form of the Warranty Claim Procedures described in this paragraph.

The Seller shall settle the Warranty Claim within 30 days after the delivery of the defective Goods, unless a longer period has been agreed upon. The day when the repaired or exchanged Goods is handed over to the Buyer is considered to be the day of the Warranty Claim settlement. When the Seller is not able to settle the Warranty Claim within the agreed period due to the specific nature of the Goods defect, he and the Buyer shall make an agreement about an alternative solution. In case such agreement is not made, the Seller is obliged to provide the Buyer with a financial compensation in the form of a refund.

CZ **SEVEN SPORT s.r.o.**

Registered Office: Strakonická 1151/2c, Praha 5, 150 00,
ČR

Headquarters: Dělnická 957, Vítkov, 749 01
Warranty & Service: Čermenská 486, Vítkov 749 01

CRN: 26847264
VAT ID: CZ26847264

Phone: +420 556 300 970
E-mail: eshop@insportline.cz
reklamace@insportline.cz
servis@insportline.cz

Web: www.inSPORTline.cz

SK **inSPORTline s.r.o.**

Headquarters, warranty & service center: Električná 6471,
Trenčín 911 01, SK

CRN: 36311723
VAT ID: SK2020177082

Phone: +421(0)326 526 701
E-mail: objednavky@insportline.sk
reklamacie@insportline.sk
servis@insportline.sk

Web: www.inSPORTline.sk

About shipping

