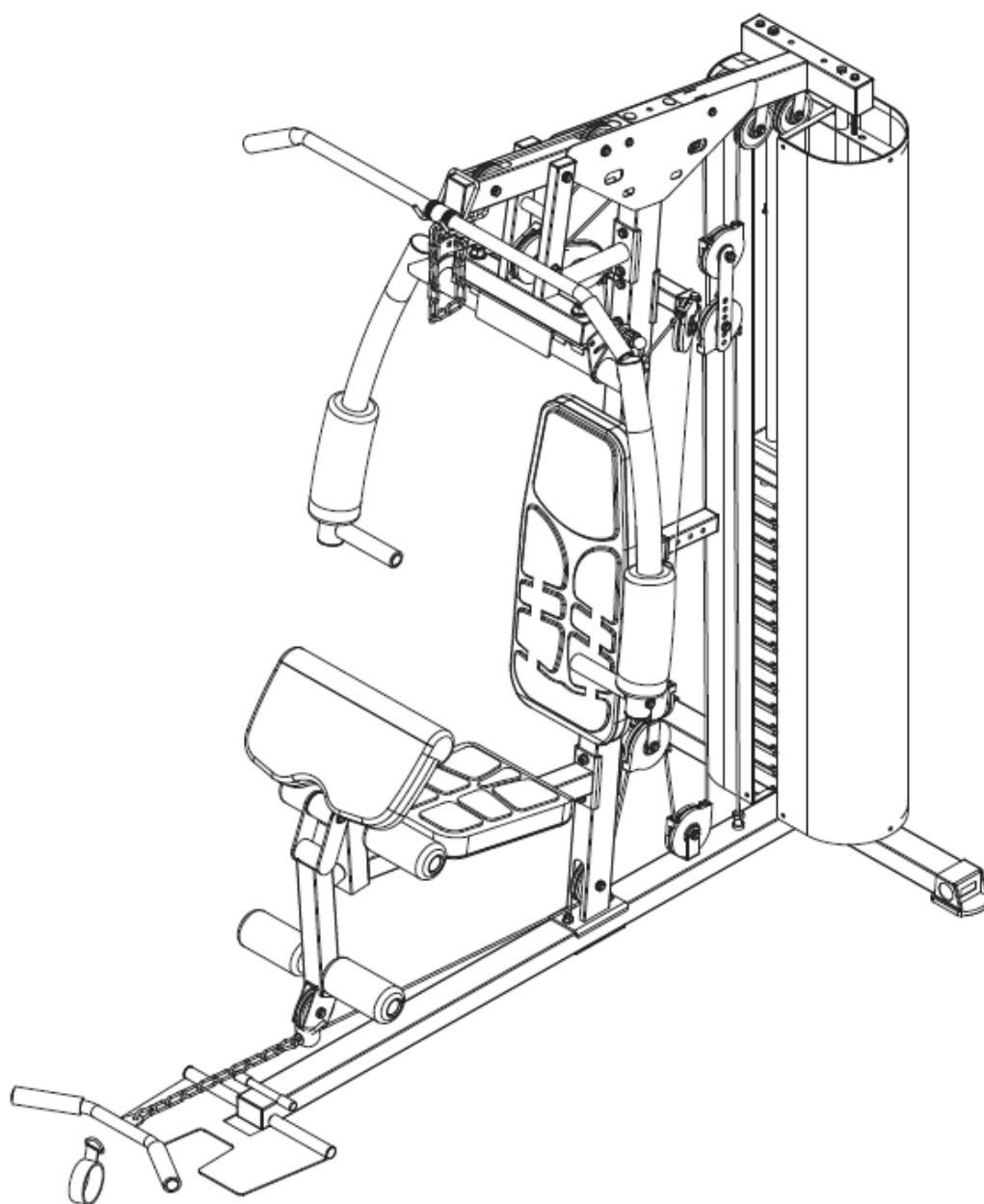




USER MANUAL – EN

**IN 25975 Multifunctional home gym inSPORTline ProfiGym
C45**



CONTENTS

SAFETY INSTRUCTIONS..... 3
PARTS LIST 4
DIAGRAM 7
ASSEMBLY 8
EXERCISE INSTRUCTIONS 21
MAINTENANCE 22
ENVIRONMENT PROTECTION 22
TERMS AND CONDITIONS OF WARRANTY, WARRANTY CLAIMS..... 22

SevenSport s.r.o. reserves the right to make any changes and improvements to its product without prior notice. Visit our website www.insportline.eu where you will find the latest version of the manual.

SAFETY INSTRUCTIONS

- The manual serves for better understanding and use of the product. Please read the manual carefully before use and keep it for future reference.
- Be especially careful during assembly, ask another adult for help.
- To ensure maximum safety, carry out regular checks for damage or wear of parts.
- If another person will also be using the device, it is important that they are familiar with all the instructions given in this manual.
- Only 1 person can exercise on the device at the same time.
- Before using the device, check that all screws and nuts are properly tightened and that all joints are in good condition.
- Before starting the exercise, remove all dangerous objects with sharp edges from around the device.
- Only use the device if it is in good condition and fully functional.
- A damaged, worn or defective part must be replaced with a new one as soon as possible. Stop using the weight tower until it is fully functional again.
- Before allowing a child to exercise on the machine, consider their mental and physical condition. Children can only exercise under the supervision of an adult who will supervise the correct use of the device. The home gym is not a child's toy.
- Around the device must be defined min. 0.6 m of free space. No adjustable part of the device may protrude and obstruct the user's movement.
- Sufficient free space must be ensured around the entire device.
- Be aware that improperly conducted or excessive exercise can lead to health damage.
- Before using the product, it must be secured against unwanted movement using the adjustable feet.
- Place the device on a flat surface and ensure its stability.
- Wear appropriate clothing and shoes for exercise. Do not exercise in clothing that could get caught in the device (e.g. clothing that is too long and loose). We recommend sturdy sports shoes with non-slip soles.
- Consult your doctor before starting any exercise program. Your doctor can suggest a suitable exercise program and recommend a suitable diet.
- Assemble the product according to the instructions in the manual and use only the original supplied parts. Before starting assembly, check that all the parts listed in the parts list have been supplied.
- Place the device on a dry and flat surface and protect it from moisture. Alternatively, place a non-slip mat under the device to prevent damage to the surface under the device.
- It should be noted that the exercise machines and their accessories are not intended for playing. Therefore, the home gym can only be used by persons who are familiar with its correct operation.
- Stop exercising immediately if you experience dizziness, nausea, chest pain, or any other physical discomfort. Consult your doctor about further exercise.
- Avoid contact with joints during exercise.
- All adjustable parts must be set with regard to their extreme positions.

- Do not exercise immediately after eating.
- Cables are subject of wear. It is your responsibility to prevent unexpected damage. Cables should be checked daily. Check all cables, the nylon coating on all cables and the area near the end of each cable. Replace a damaged or worn cable immediately. Do not allow the machine to be used until damaged or worn cables have been replaced. Using or allowing the machine to be used with a damaged cable can result in serious injury.
- Category: H for home use
- Weight limit: 120 kg

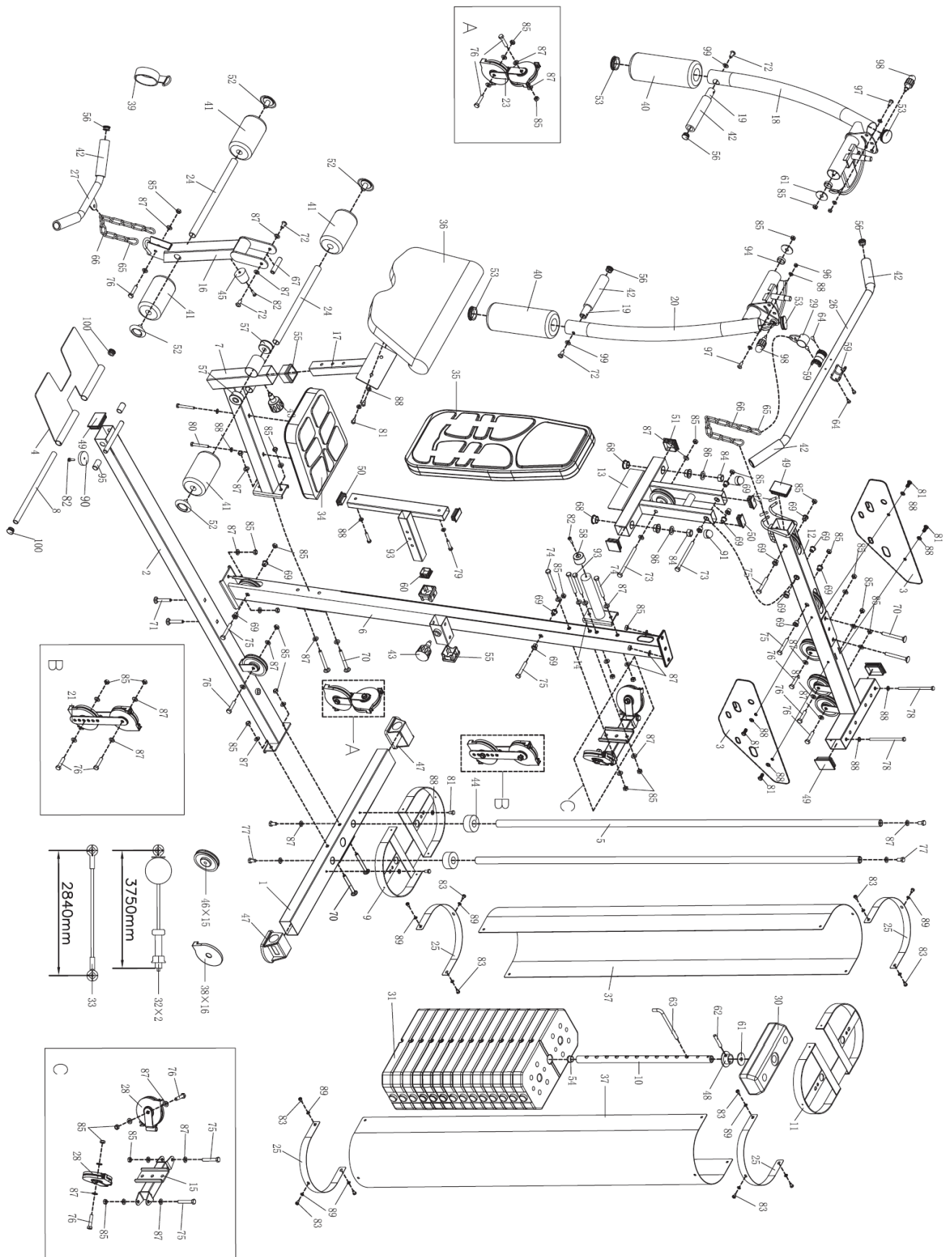
PARTS LIST

No.	Name	Qty
1	Back frame of the base	1
2	Base frame	1
3	Decorative cover	2
4	Foot plate	1
5	Weight guide rod	2
6	Front incline frame	1
7	Saddle frame	1
8	Foot plate axis	1
9	Lower weights frame	1
10	Adjustable rod	1
11	Upper weights frame	1
12	Upper frame	1
13	Bench press frame	1
14	Border frame	1
15	U-shaped connecting frame	1
16	Leg curl frame	1
17	Armrest frame	1
18	Frame for butterfly exercises - right	1
19	Bench press handle	2
20	Frame for butterfly exercises - left	1
21	Pulley connecting plate	2
22		
23	U-shaped swivel bracket	1
24	Foam roller bar for leg curl	2
25	Fixing plate for cover	4
26	Lat bar	1
27	Bent bar	1
28	U-shaped holder	2
29	Connecting joint for a lat bar	1

30	The top part of the weights	1
31	Weights	11
32	Cable (3750 mm)	2
33	Cable (2840 mm)	1
34	Seat	1
35	Backrest	1
36	Arm rest	1
37	Cover	2
38	Pulley cover	16
39	Strap	1
40	Foam roller	2
41	Foam roller	4
42	Handles	6
43	Hand knob	2
44	Bottom weights washer	2
45	Frame stopper for leg curl	1
46	Pulley	15
47	Leg cover	2
48	Bushing	1
49	End cap	4
50	End cap	2
51	End cap	2
52	Round cap	4
53	Round cap	6
54	Cover	1
55	Bushing	2
56	Round cap	6
57	Cover for leg curl	2
58	Stopper	1
59	Lat bar end cap	4
60	End cap	1
61	Washer $\Phi 45 \times \Phi 13$	1
62	Pin C10x55	1
63	L-shaped pin for load selection	1
64	Rivets	4
65	Carbine	4
66	Chain	2
67	Axis $\Phi 16 \times 71$	1

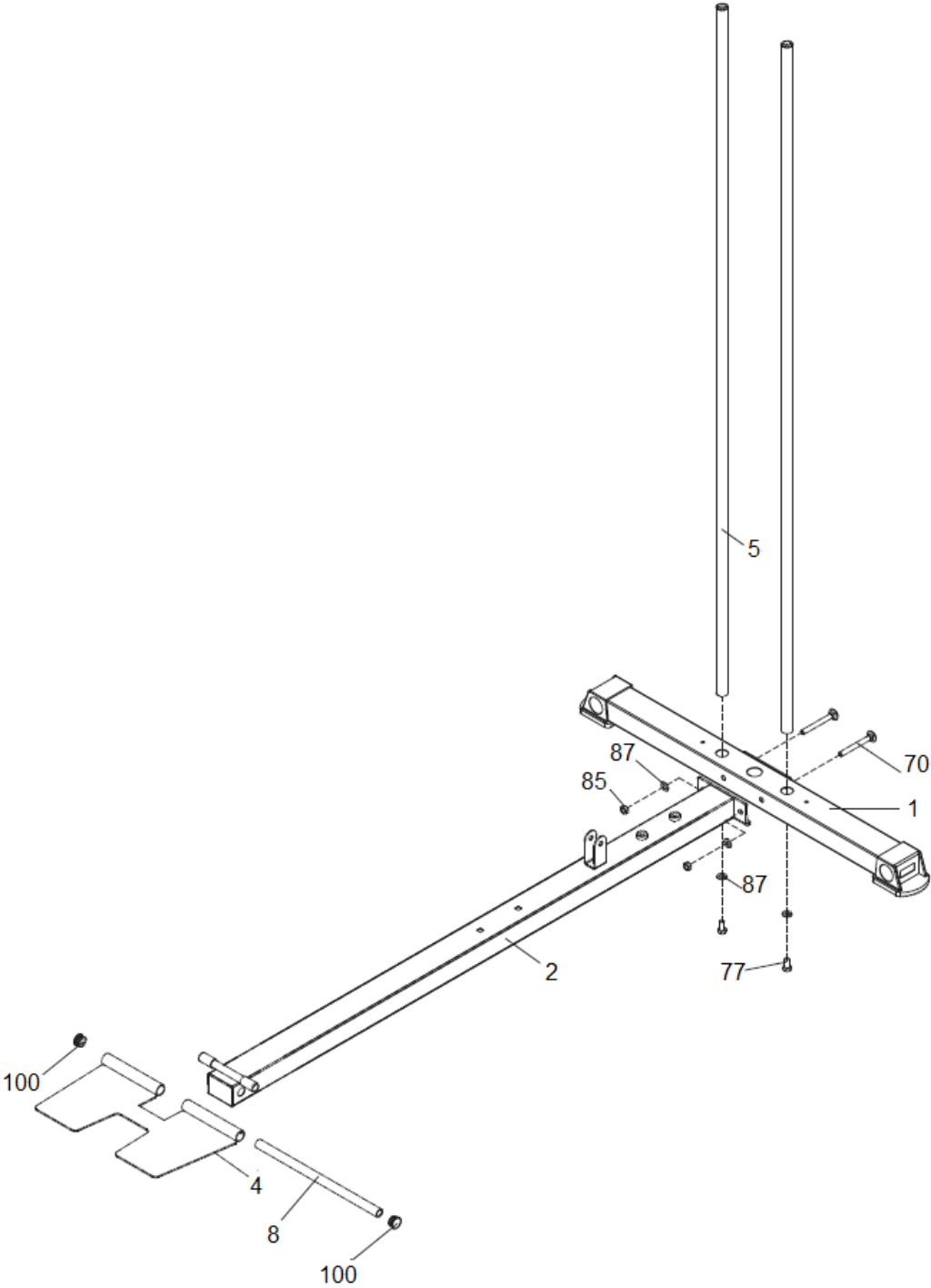
68	Pulley cover	4
69	Pulley cover	18
70	Square neck bolt M10*90	6
71	Square neck bolt M10*70	2
72	Allen bolt M10*20	4
73	Hex bolt M10*135	2
74	Hex bolt M10*90	4
75	Hex bolt M10*65	3
76	Hex bolt M10*45	11
77	Hex bolt M10*20	4
78	Hex bolt M8*150	2
79	Hex bolt M8*40	2
80	Hex bolt M8*65	2
81	Hex bolt M8*15	6
82	Screw M6*20	3
83	Screw M6*20	12
84	Nylon nut M16	2
85	Nylon nut M10	28
86	Flat washer Φ 16	2
87	Flat washer Φ 10	46
88	Flat washer Φ 8	14
89	Flat washer Φ 6	12
90	Rubber pad	1
91	Nut cap (M16)	2
92	PVC cover	2
93	Adjustable tube for backrest	1
94	Spacer	2
95	PVC cover	2
96	Nylon nut (M8)	2
97	Screw (M8*25)	2
98	Knob	2
99	Curved washer Φ 10	2
100	End cap	2
	Wrench 14# / 17#	1
	Special wrench	1
	Allen key 6#	2
	Wrench 17# / 19#	1

DIAGRAM



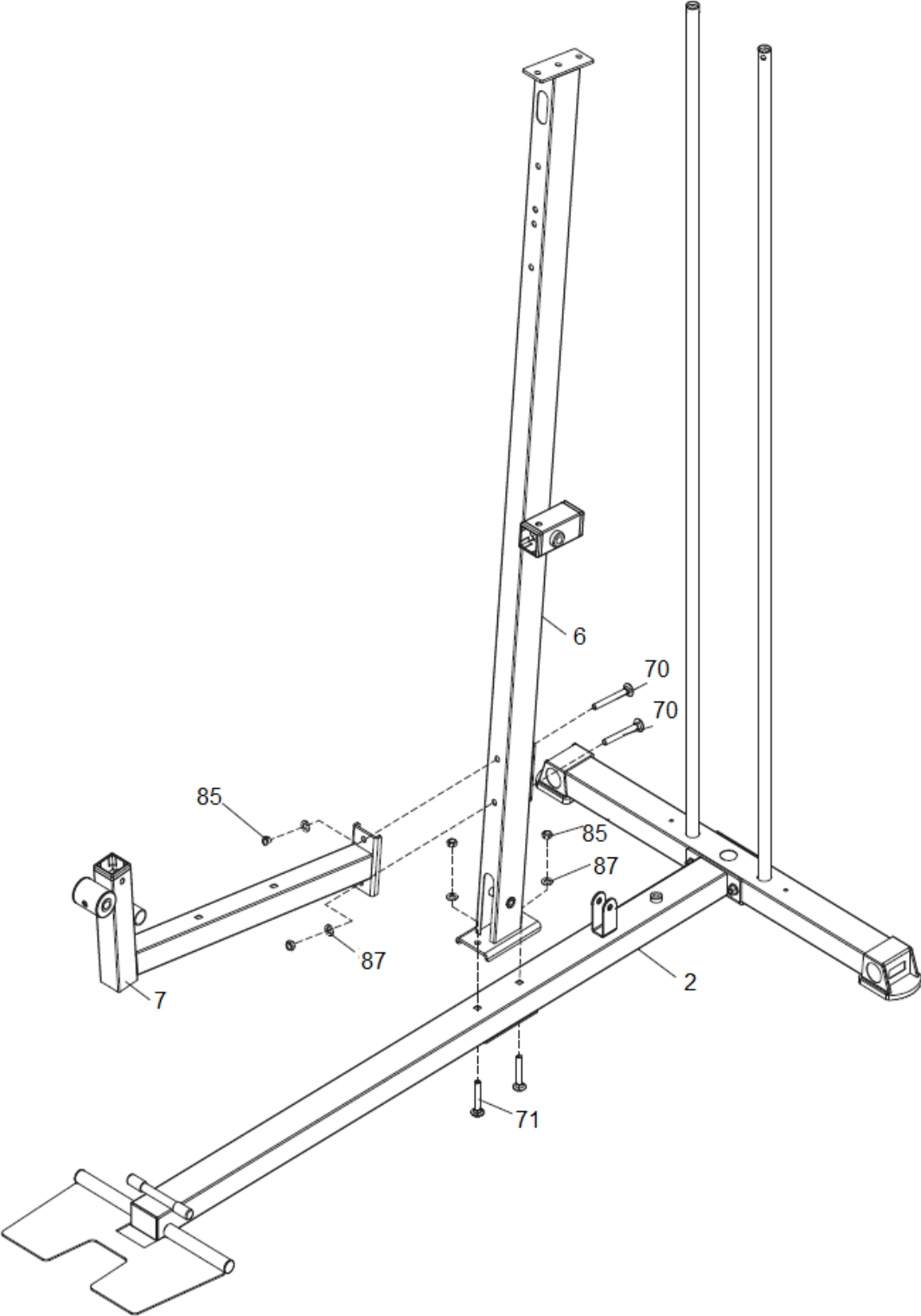
ASSEMBLY

Step 1



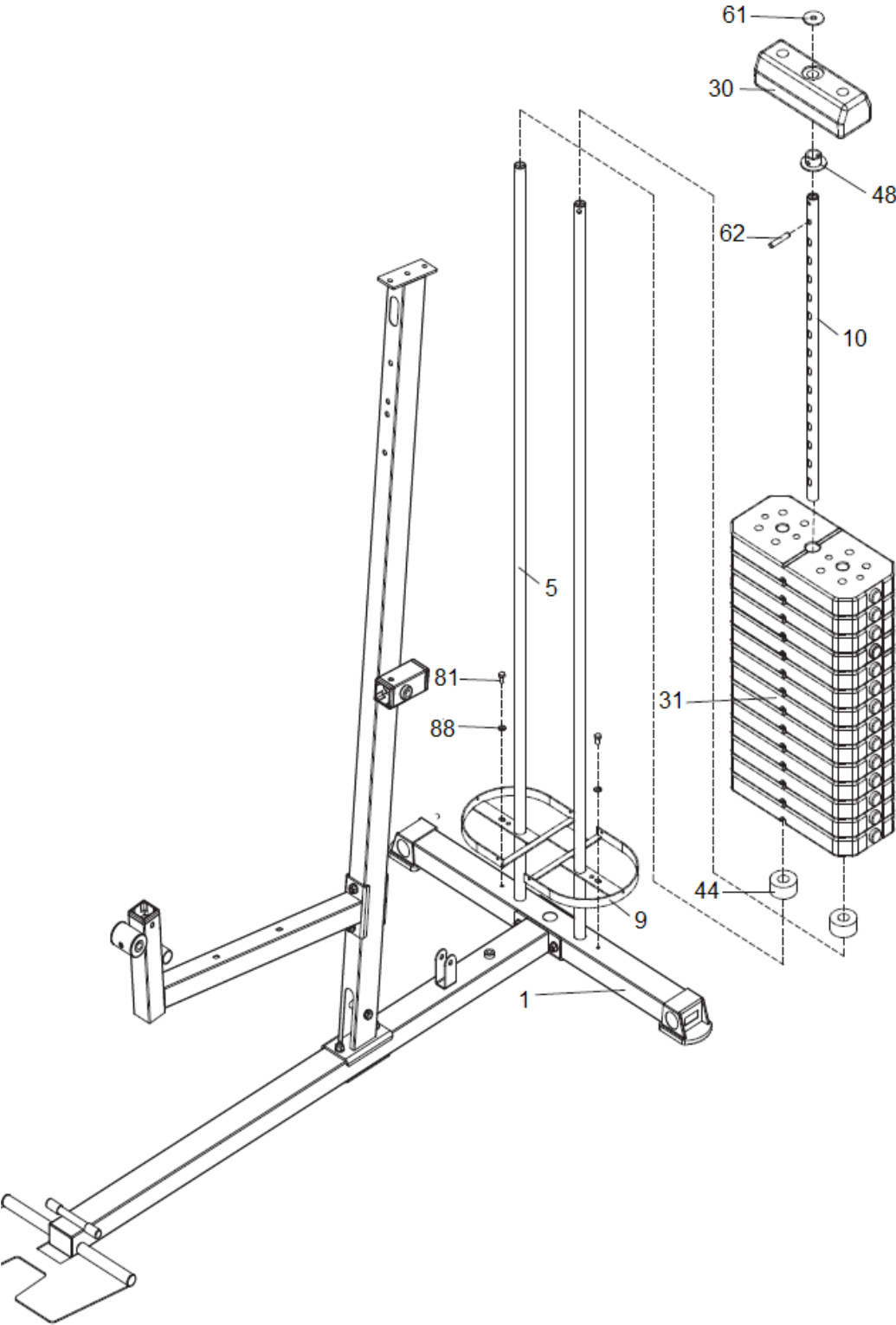
85	Nylon nut M10	2x
70	Square neck bolt M10*90	2x
87	Flat washer Φ10	2x

Step 2



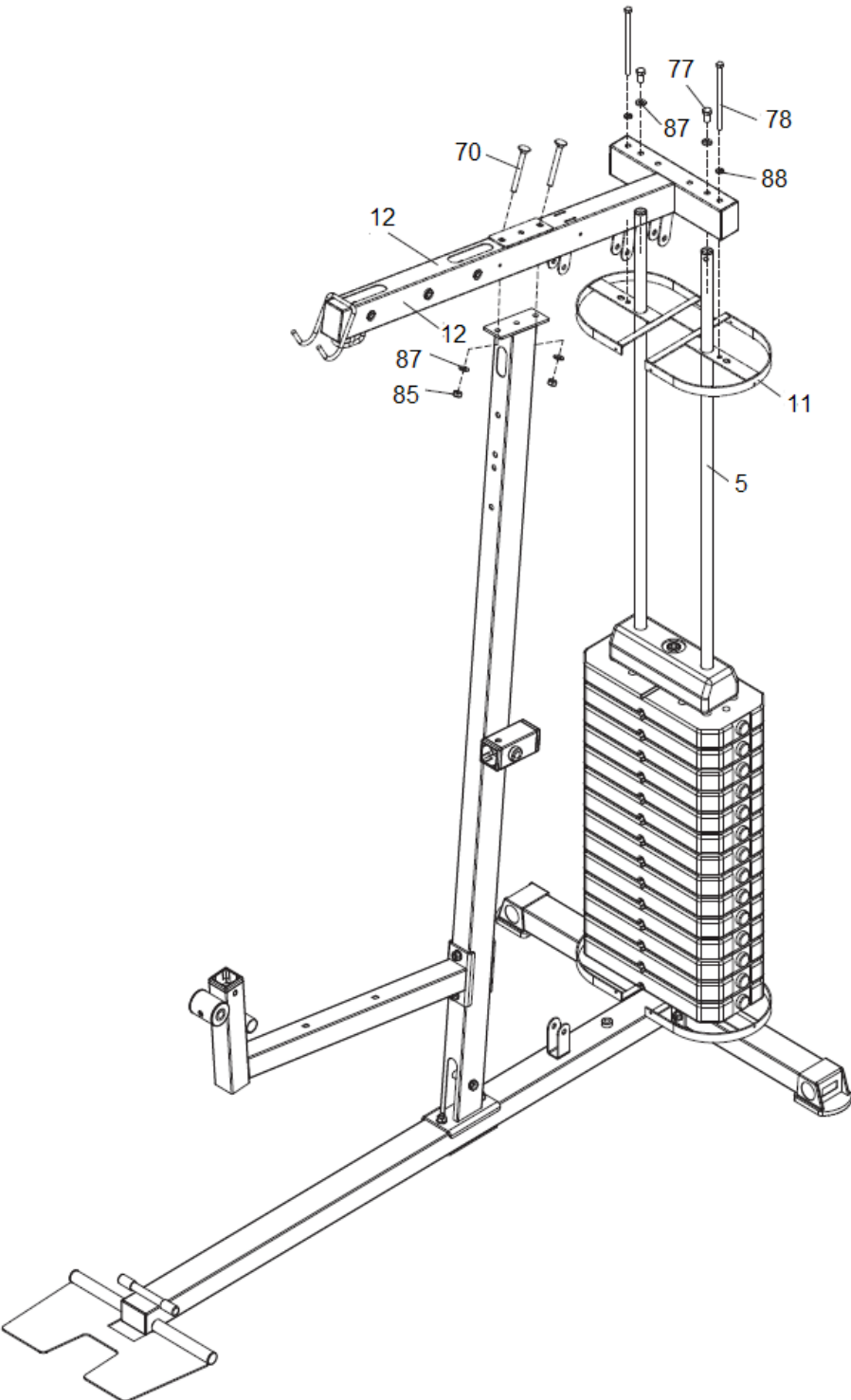
85	Nylon nut M10	4x
71	Square neck bolt M10*70	2x
87	Flat washer Φ10	4x
70	Square neck bolt M10*90	2x

Step 3



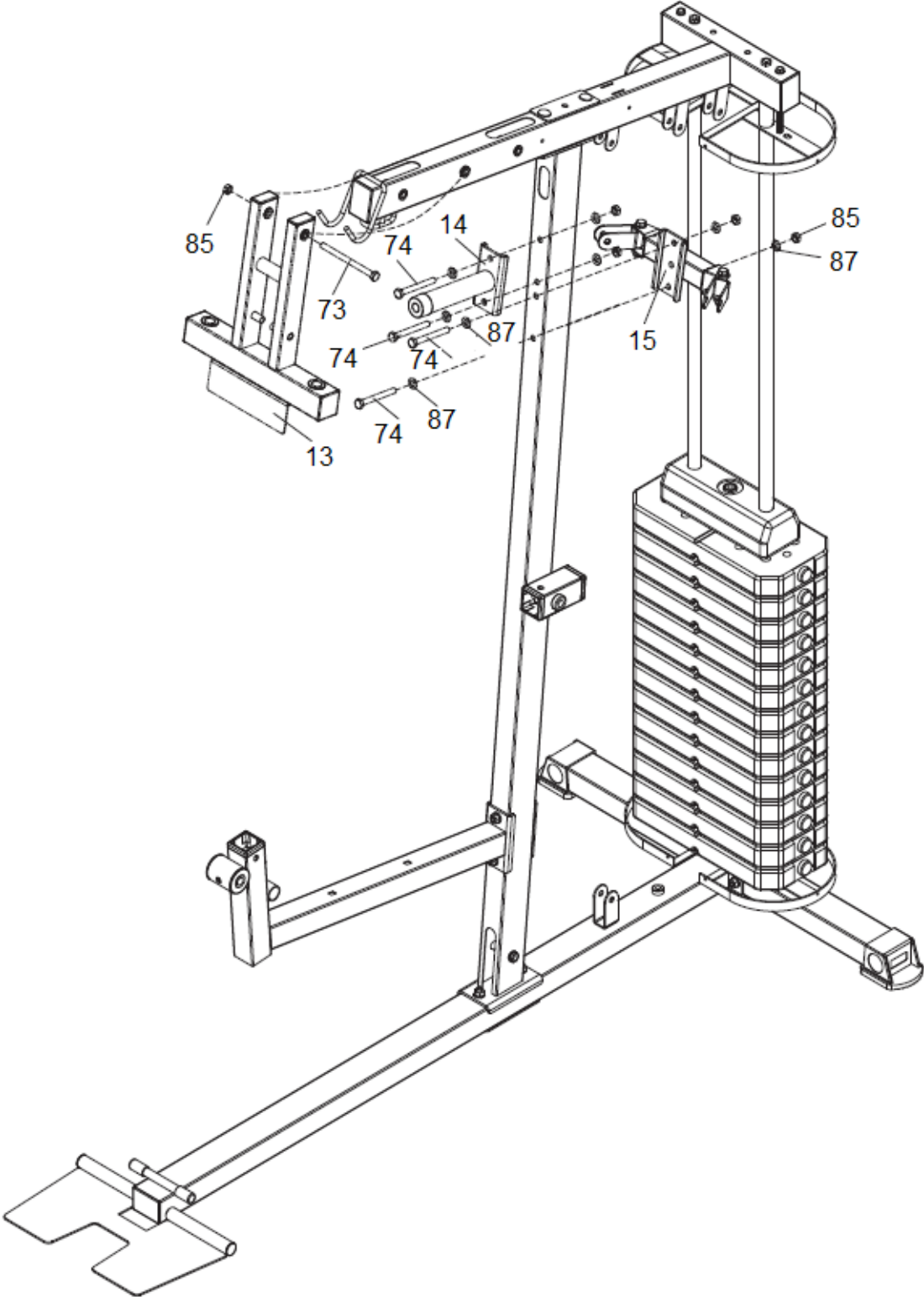
62	Pin C10x55	1x
61	Washer $\Phi 45 \times \Phi 13$	1x
88	Flat washer $\Phi 8$	2x
81	Hex bolt M8*15	2x

Step 4



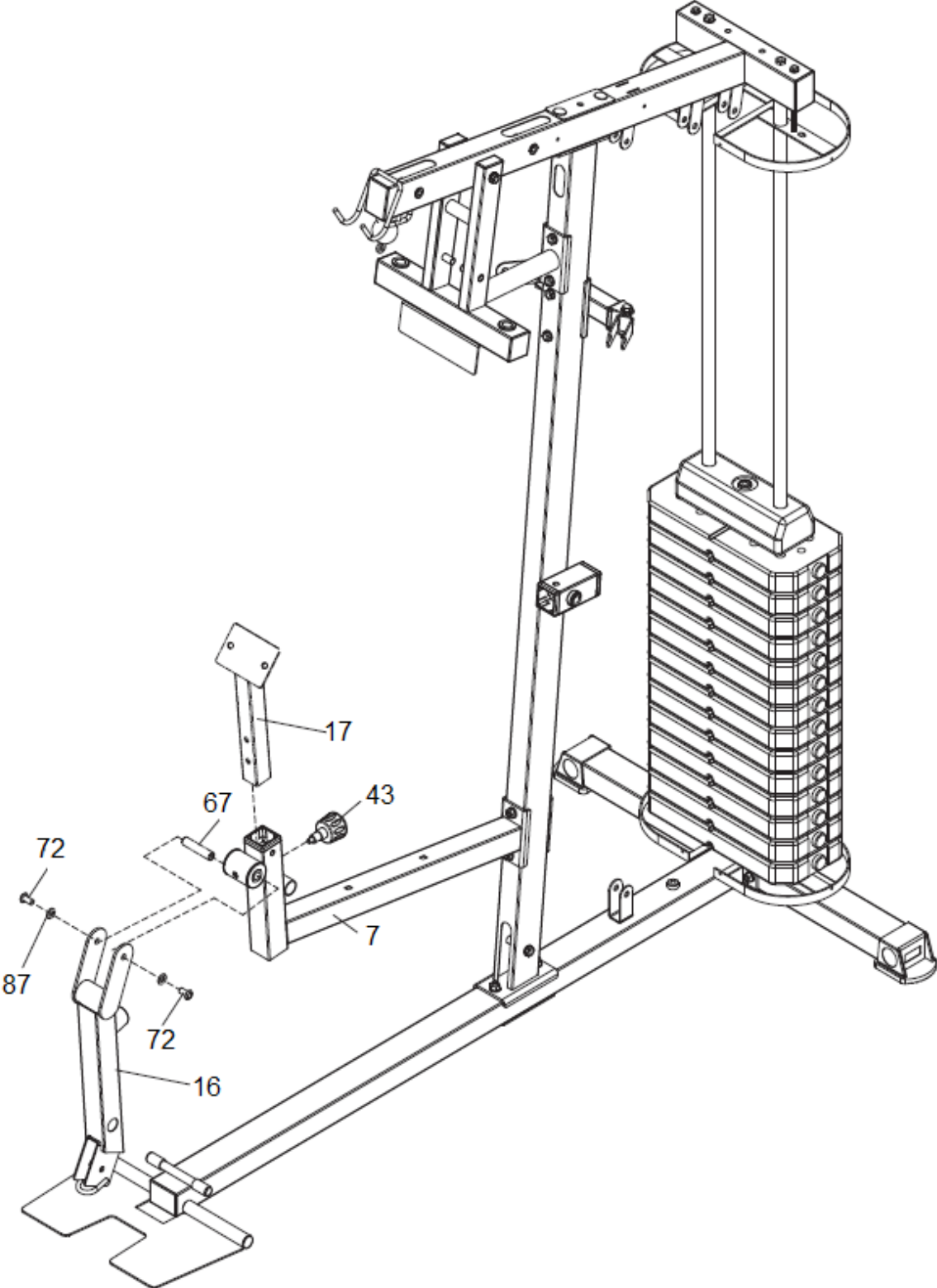
88	Flat washer $\Phi 8$	2x
78	Hex bolt M8*150	2x
85	Nylon nut M10	2x
70	Square neck bolt M10*90	2x
87	Flat washer $\Phi 10$	2x

Step 5



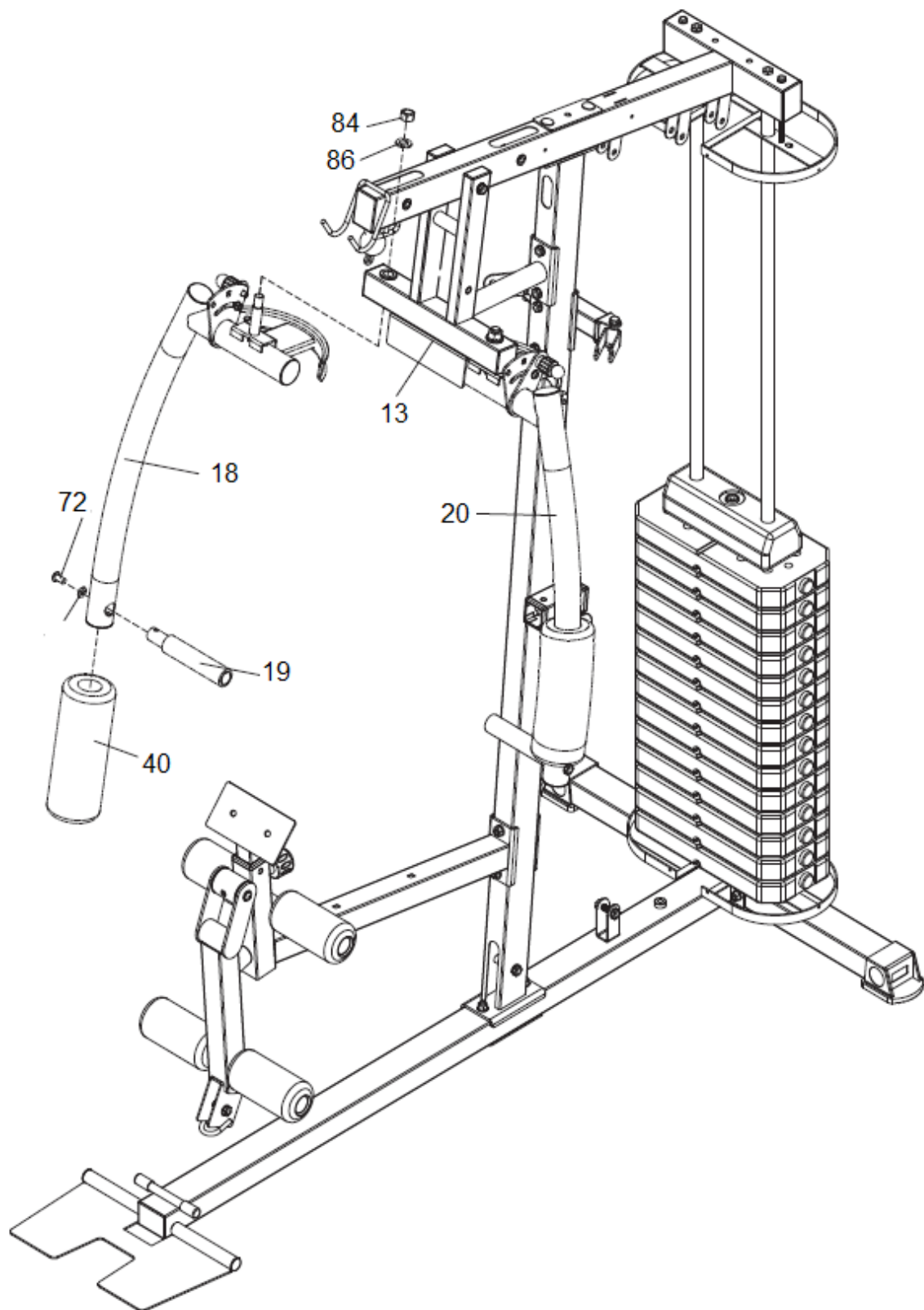
85	Nylon nut M10	5x
73	Hex bolt M10*135	1x
87	Flat washer Φ 10	8x
74	Hex bolt M10*90	4x

Step 6



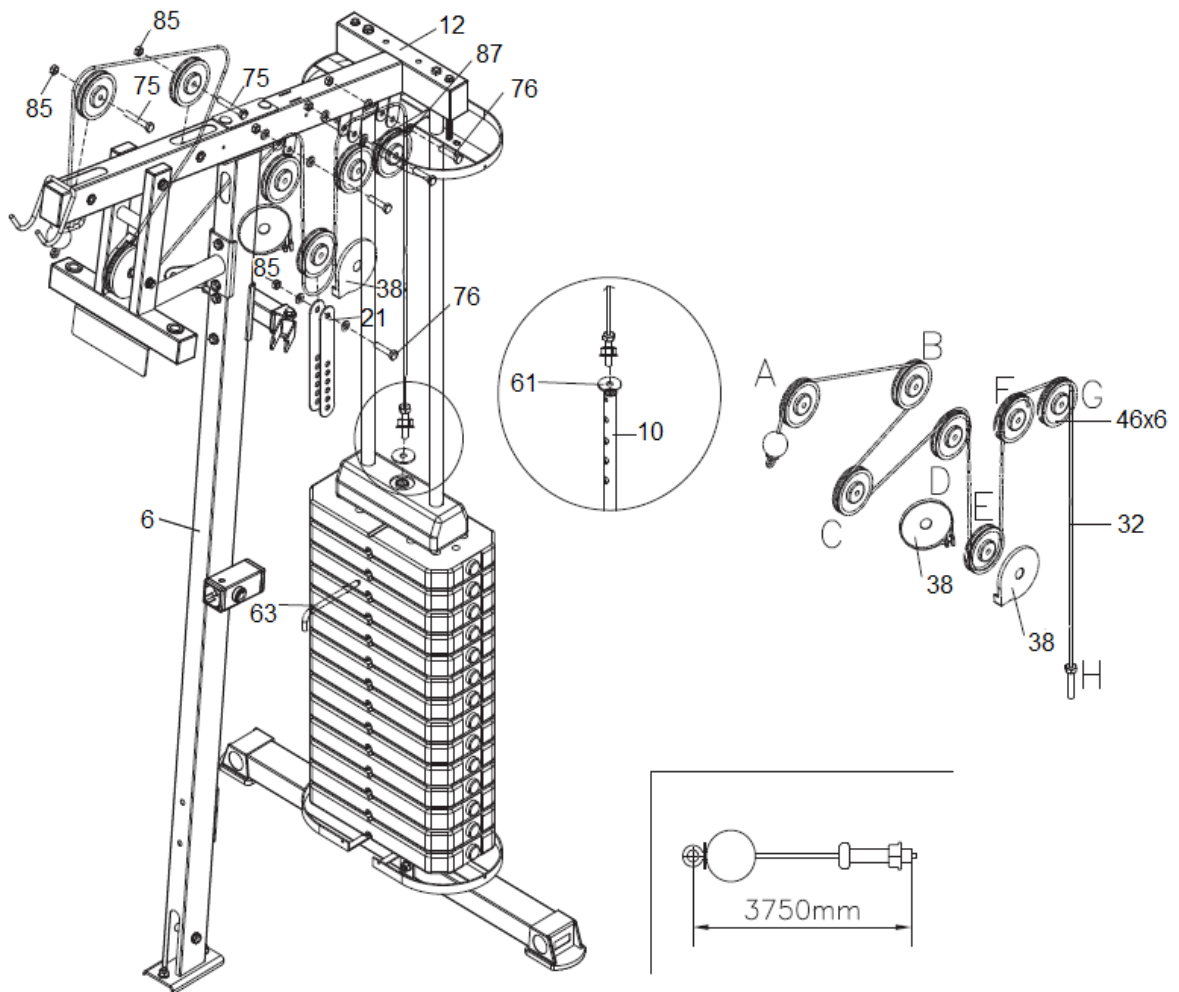
67	Axis $\Phi 16 \times 71$	1x
87	Flat washer $\Phi 10$	2x
72	Allen bolt M10*20	2x

Step 7



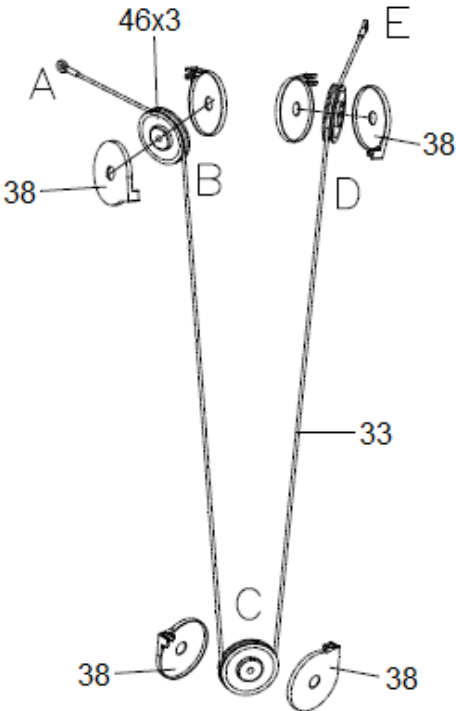
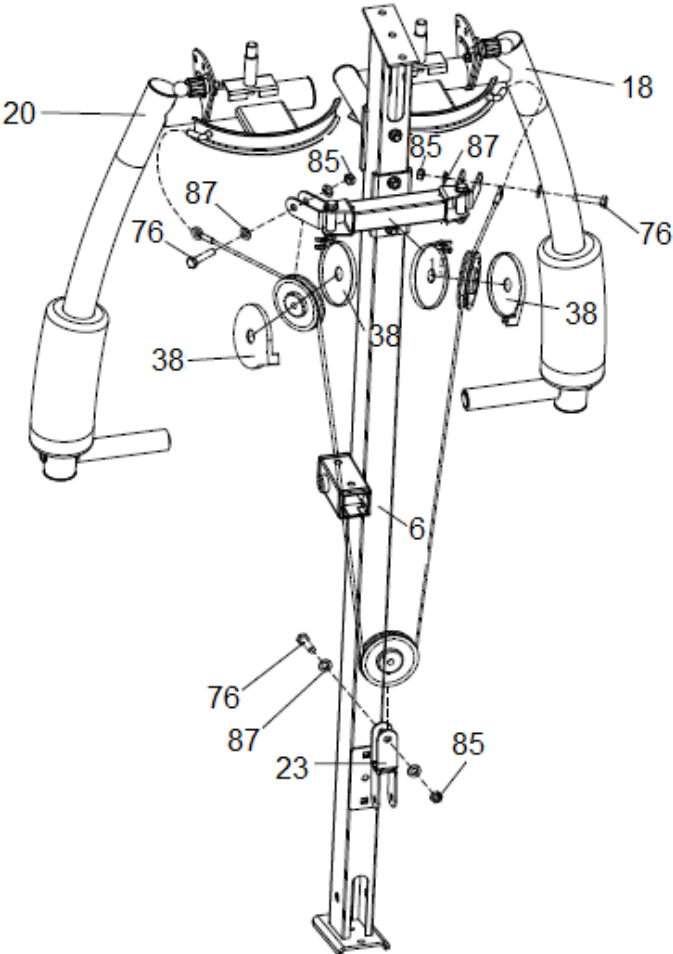
87	Flat washer $\Phi 10$	2x
72	Allen bolt M10*20	2x

Step 8



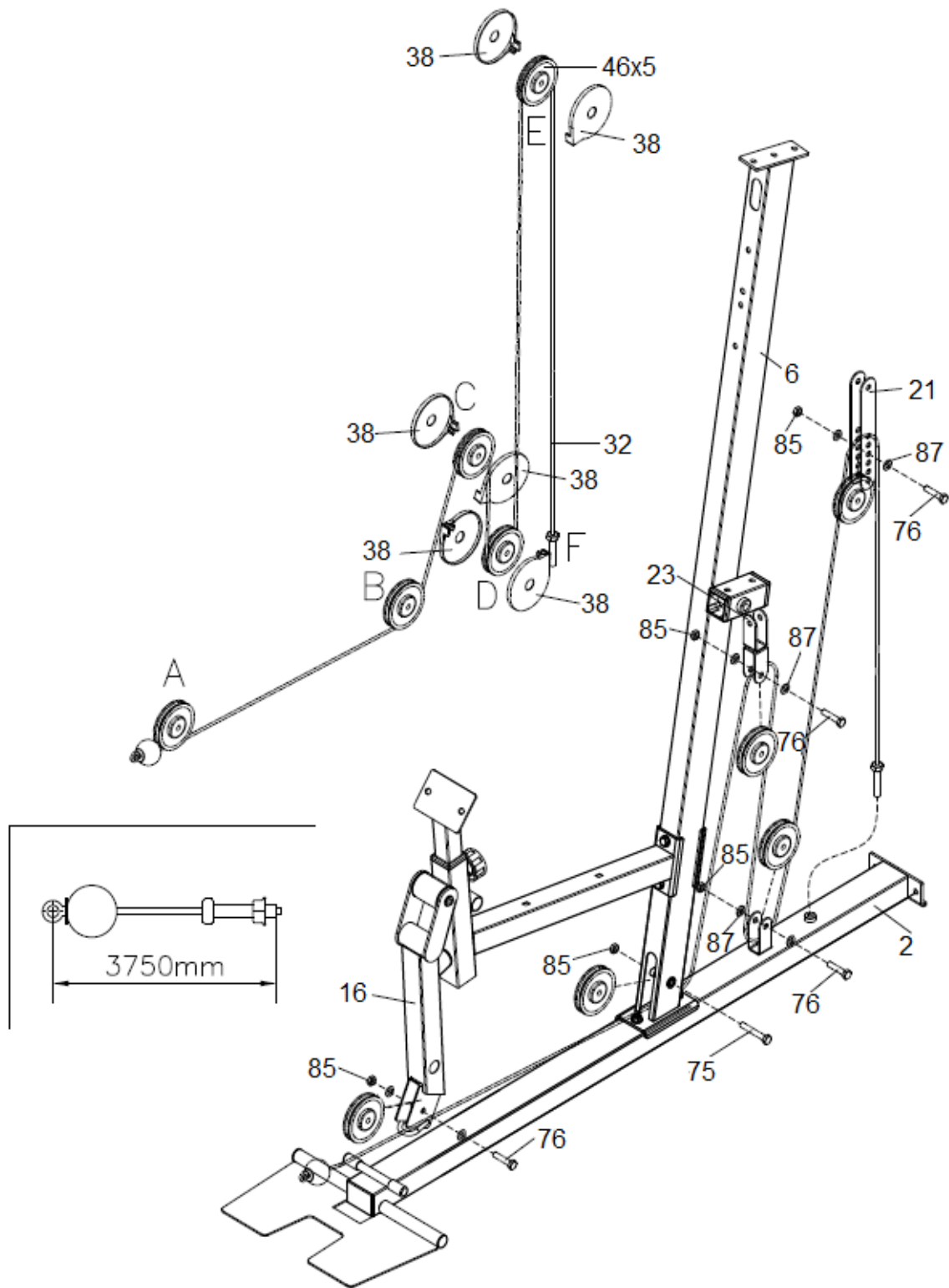
85	Nylon nut M10	6x
87	Flat washer $\Phi 10$	8x
75	Hex bolt M10*65	2x
76	Hex bolt M10*45	4x

Step 9



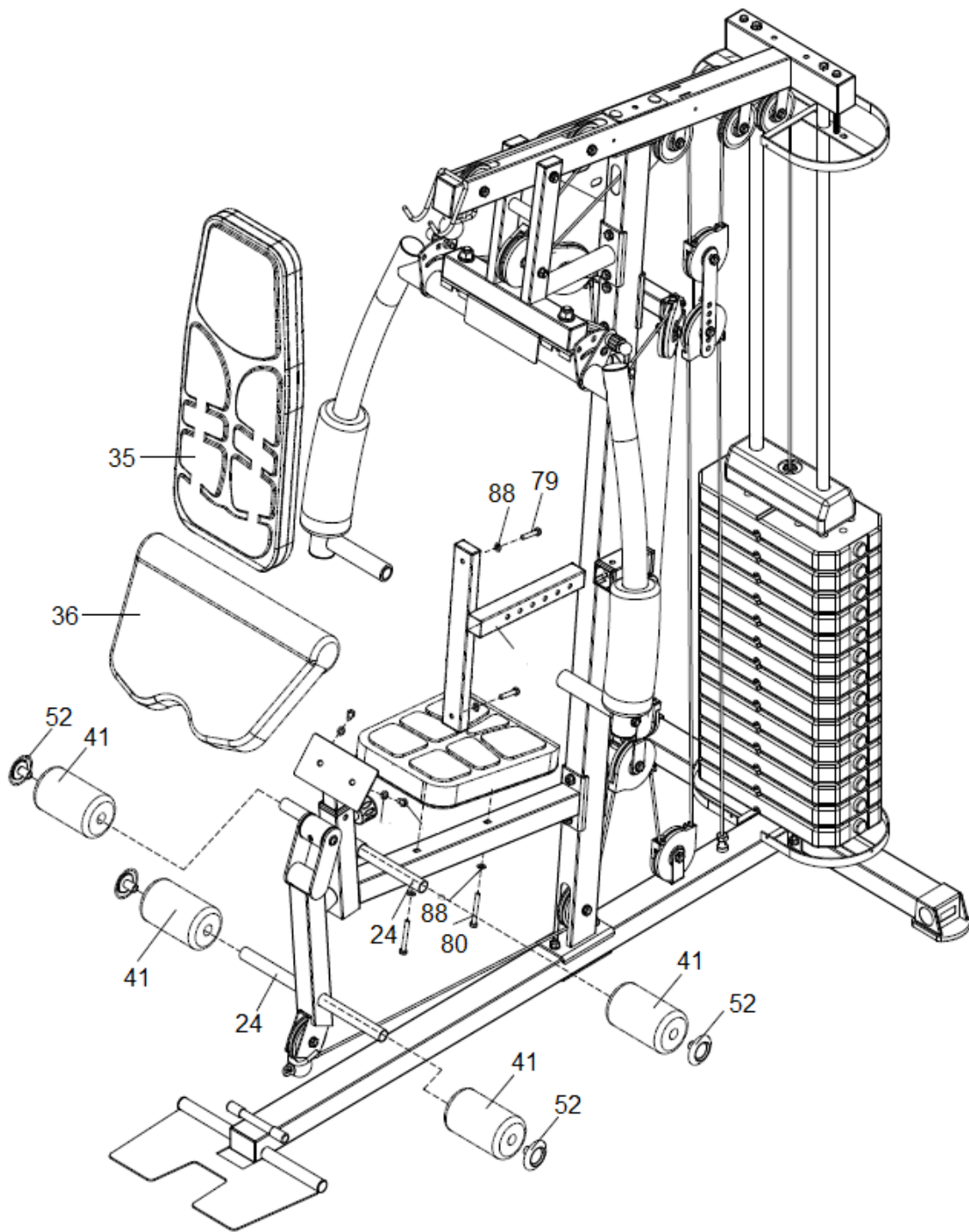
85	Nylon nut M10	3x
87	Flat washer $\Phi 10$	6x
76	Hex bolt M10*45	3x

Step 10



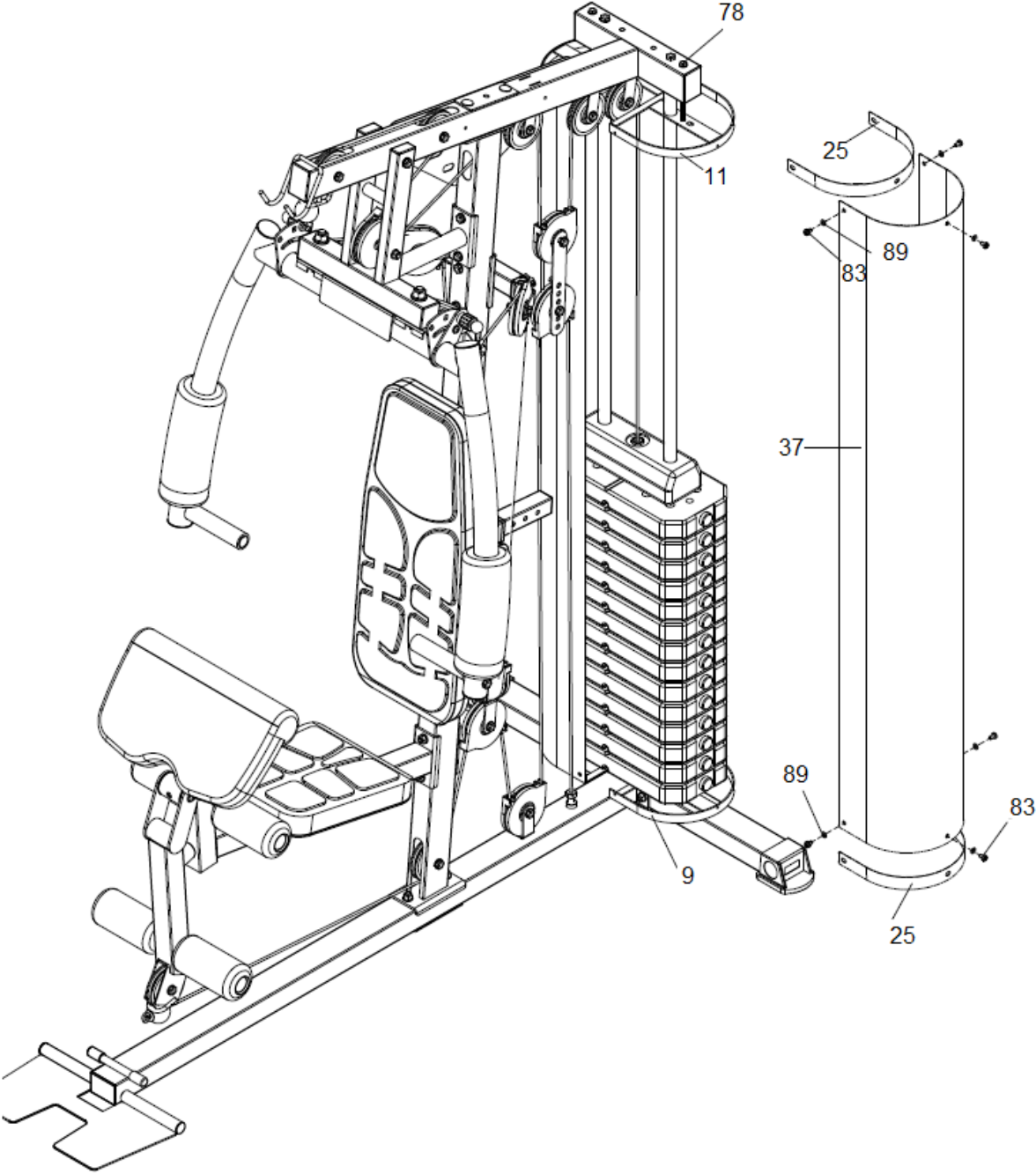
85	Nylon nut M10	5x
87	Flat washer Φ10	8x
75	Hex bolt M10*65	1x
76	Hex bolt M10*45	4x

Step 11



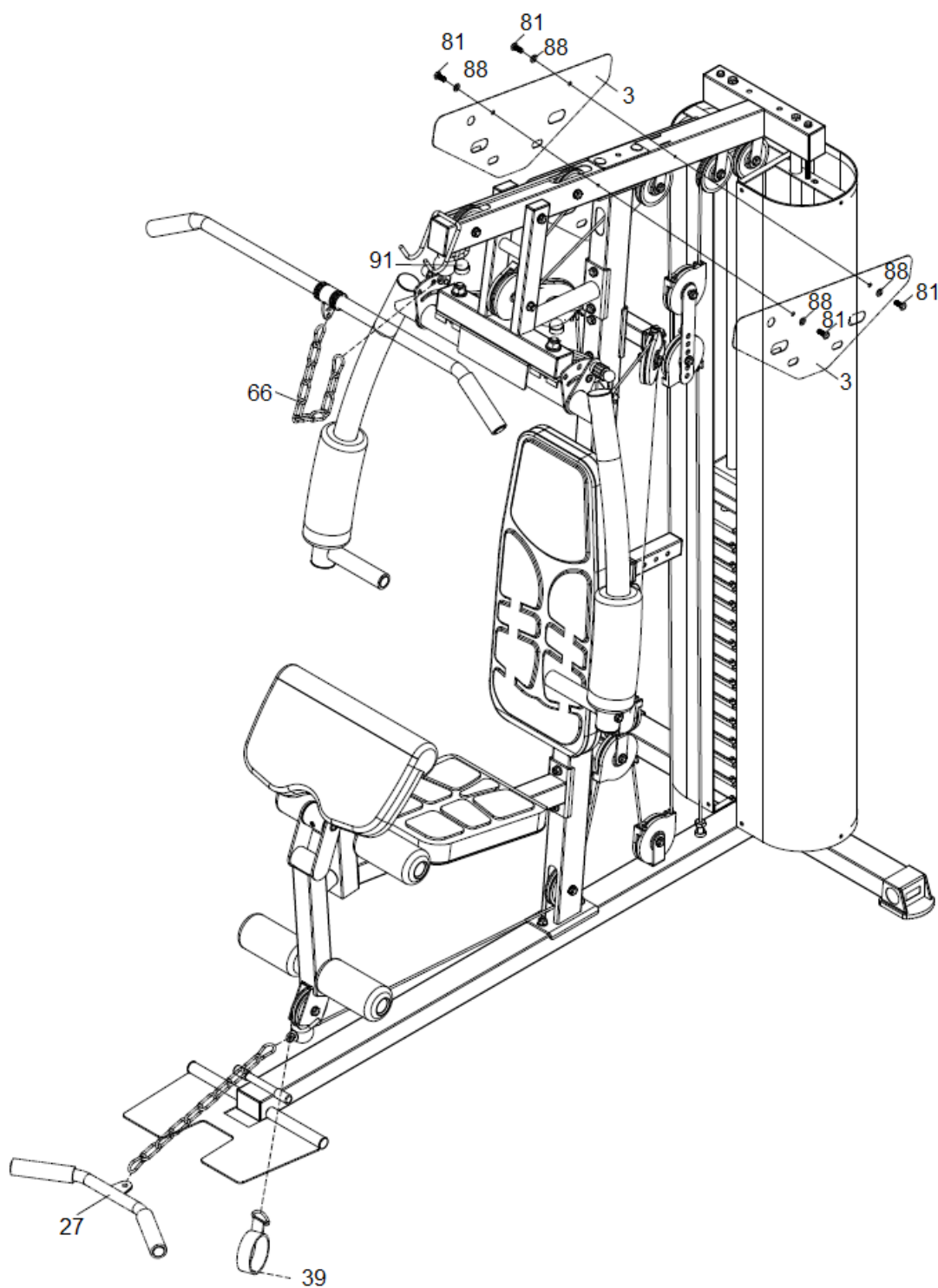
88	Flat washer $\Phi 8$	6x
79	Hex bolt M8*40	2x
80	Hex bolt M8*65	2x
81	Hex bolt M8*15	2x

Step 12



83	Screw M6*20	12x
89	Flat washer Φ6	12x

Step 13



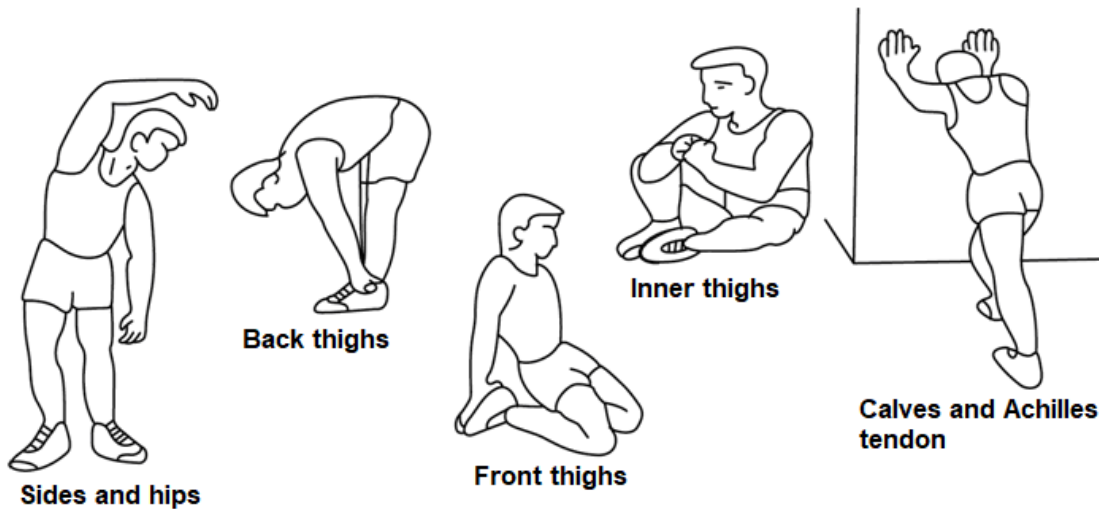
91	Nut cap (M16)	2x
88	Flat washer $\Phi 8$	4x
81	Hex bolt M8*15	4x

EXERCISE INSTRUCTIONS

Exercise is beneficial to your health, improves physical condition, shapes muscles and, in combination with a calorie-balanced diet, leads to weight loss.

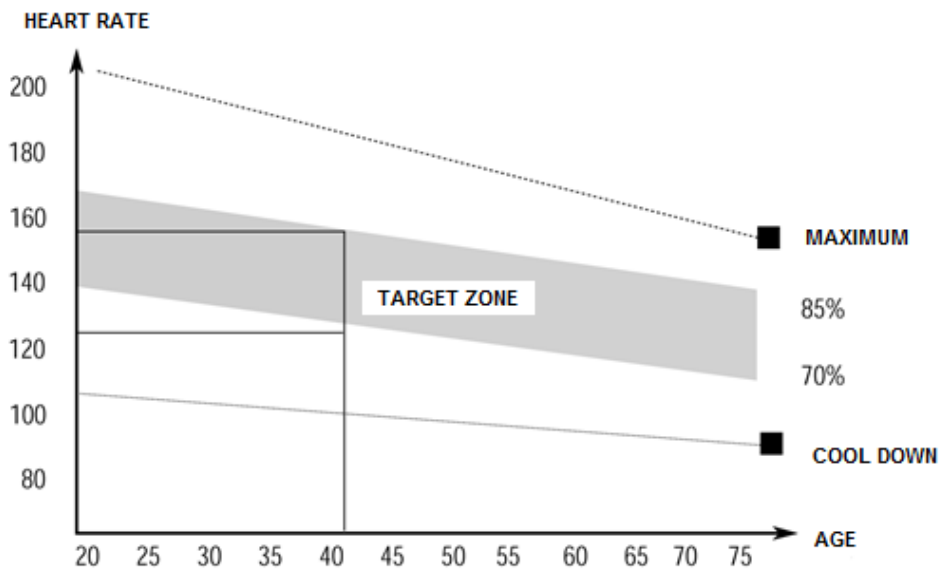
1. WARM UP

This phase serves to improve the blood circulation of the whole body and to warm up the muscles, to reduce the risk of convulsions and muscle injury. We recommend performing the stretching exercises below. When dragging, stay in the end position for approximately 30 seconds, do not make sudden movements and do not vibrate.



2. EXERCISING

This phase is the most physically demanding part. Regular exercise strengthens the muscles. You can determine the tempo yourself, but it is very important that it is the same throughout the exercise. Heart rate should be within the target zone (see figure below).



This phase should last at least 12 minutes. Most people exercise for 15-20 minutes.

3. COOLDOWN

This phase serves to soothe the cardiovascular system and relax the muscles. It should take approximately 5 minutes. You can repeat warming up exercises or continue exercising at slower pace. Stretching your muscles after exercise is extremely important - you need to avoid sudden movements and vibrations.

With improved fitness, you can lengthen and increase exercise intensity. Train regularly, at least three times a week.

SHAPING MUSCLES

For muscle shaping, it is important to set a high load. The muscles will be more stressed, which may cause that you will not be able to exercise as long as usual. If you are trying to improve your condition at the same time, you need to adjust your training. Exercise in the usual way during the warm-up and final stages of training but increase the resistance of the device at the end of the exercise. You may need to slow down the speed to keep the heart rate in the target area.

WEIGHT LOSS

The number of calories burned depends on the length and intensity of the exercise. The essence is the same as in fitness exercise, but the goal is different.

MAINTENANCE

1. After exercising, wipe off any sweat to avoid corrosion. Clean the device with a soft cloth and mild detergents. Do not use abrasive cleaners or solvents on plastic parts.
2. In case of increased machine noise, all bolts and joints must be checked and tightened properly.
3. The product must be placed in clean, ventilated and dry areas.
4. Do not expose the device to direct sunlight.

ENVIRONMENT PROTECTION

After the product lifespan expired or if the possible repairing is uneconomic, dispose it according to the local laws and environmentally friendly in the nearest scrapyard.

By proper disposal you will protect the environment and natural sources. Moreover, you can help protect human health. If you are not sure in correct disposing, ask local authorities to avoid law violation or sanctions.

TERMS AND CONDITIONS OF WARRANTY, WARRANTY CLAIMS

General Conditions of Warranty and Definition of Terms

All Warranty Conditions stated here under determine Warranty Coverage and Warranty Claim Procedure. Conditions of Warranty and Warranty Claims are governed by Act No. 89/2012 Coll. Civil Code, and Act No. 634/1992 Coll., Consumer Protection, as amended, also in cases that are not specified by these Warranty rules.

The seller is SEVEN SPORT s.r.o. with its registered office in Strakonická street 1151/2c, Prague 150 00, Company Registration Number: 26847264, registered in the Trade Register at Regional Court in Prague, Section C, Insert No. 116888.

According to valid legal regulations it depends whether the Buyer is the End Customer or not.

“The Buyer who is the End Customer” or simply the “End Customer” is the legal entity that does not conclude and execute the Contract in order to run or promote his own trade or business activities.

“The Buyer who is not the End Customer” is a Businessman that buys Goods or uses services for the purpose of using the Goods or services for his own business activities. The Buyer conforms to the General Purchase Agreement and business conditions.

These Conditions of Warranty and Warranty Claims are an integral part of every Purchase Agreement made between the Seller and the Buyer. All Warranty Conditions are valid and binding, unless otherwise specified in the Purchase Agreement, in the Amendment to this Contract or in another written agreement.

Warranty Conditions

Warranty Period

The Seller provides the Buyer a 24 months Warranty for Goods Quality, unless otherwise specified in the Certificate of Warranty, Invoice, Bill of Delivery or other documents related to the Goods. The legal warranty period provided to the Consumer is not affected.

By the Warranty for Goods Quality, the Seller guarantees that the delivered Goods shall be, for a certain period of time, suitable for regular or contracted use, and that the Goods shall maintain its regular or contracted features.

The Warranty does not cover defects resulting from (if applicable):

- User's fault, i.e. product damage caused by unqualified repair work, improper assembly
- Improper maintenance
- Mechanical damages
- Regular use (e.g. wearing out of rubber and plastic parts, moving mechanisms, joints, wear of brake pads/blocks, chain, tires, cassette/multi wheel etc.)
- Unavoidable event, natural disaster
- Adjustments made by unqualified person
- Improper maintenance, improper placement, damages caused by low or high temperature, water, inappropriate pressure, shocks, intentional changes in design or construction etc.

Warranty Claim Procedure

The Buyer is obliged to check the Goods delivered by the Seller immediately after taking the responsibility for the Goods and its damages, i.e. immediately after its delivery. The Buyer must check the Goods so that he discovers all the defects that can be discovered by such check.

When making a Warranty Claim the Buyer is obliged, on request of the Seller, to prove the purchase and validity of the claim by the Invoice or Bill of Delivery that includes the product's serial number, or eventually by the documents without the serial number. If the Buyer does not prove the validity of the Warranty Claim by these documents, the Seller has the right to reject the Warranty Claim.

If the Buyer gives notice of a defect that is not covered by the Warranty (e.g. in the case that the Warranty Conditions were not fulfilled or in the case of reporting the defect by mistake etc.), the Seller is eligible to require a compensation for all the costs arising from the repair. The cost shall be calculated according to the valid price list of services and transport costs.

If the Seller finds out (by testing) that the product is not damaged, the Warranty Claim is not accepted. The Seller reserves the right to claim a compensation for costs arising from the false Warranty Claim.

In case the Buyer makes a claim about the Goods that is legally covered by the Warranty provided by the Seller, the Seller shall fix the reported defects by means of repair or by the exchange of the damaged part or product for a new one. Based on the agreement of the Buyer, the Seller has the right to exchange the defected Goods for a fully compatible Goods of the same or better technical characteristics. The Seller is entitled to choose the form of the Warranty Claim Procedures described in this paragraph.

The Seller shall settle the Warranty Claim within 30 days after the delivery of the defective Goods, unless a longer period has been agreed upon. The day when the repaired or exchanged Goods is handed over to the Buyer is considered to be the day of the Warranty Claim settlement. When the Seller is not able to settle the Warranty Claim within the agreed period due to the specific nature of the Goods defect, he and the Buyer shall make an agreement about an alternative solution. In case such agreement is not made, the Seller is obliged to provide the Buyer with a financial compensation in the form of a refund.

CZ
SEVEN SPORT s.r.o.

Registered Office: Strakonická 1151/2c, Praha 5, 150 00,
ČR

Headquaters: Dělnická 957, Vítkov, 749 01

Warranty & Service: Čermenská 486, Vítkov 749 01

CRN: 26847264

VAT ID: CZ26847264

Phone: +420 556 300 970

E-mail: eshop@insportline.cz
reklamace@insportline.cz
servis@insportline.cz

Web: www.inSPORTline.cz

SK
inSPORTline s.r.o.

Headquaters, warranty & service center: Električná 6471,
Trenčín 911 01, SK

CRN: 36311723

VAT ID: SK2020177082

Phone: +421(0)326 526 701

E-mail: objednavky@insportline.sk
reklamacie@insportline.sk
servis@insportline.sk

Web: www.inSPORTline.sk

About shipping

